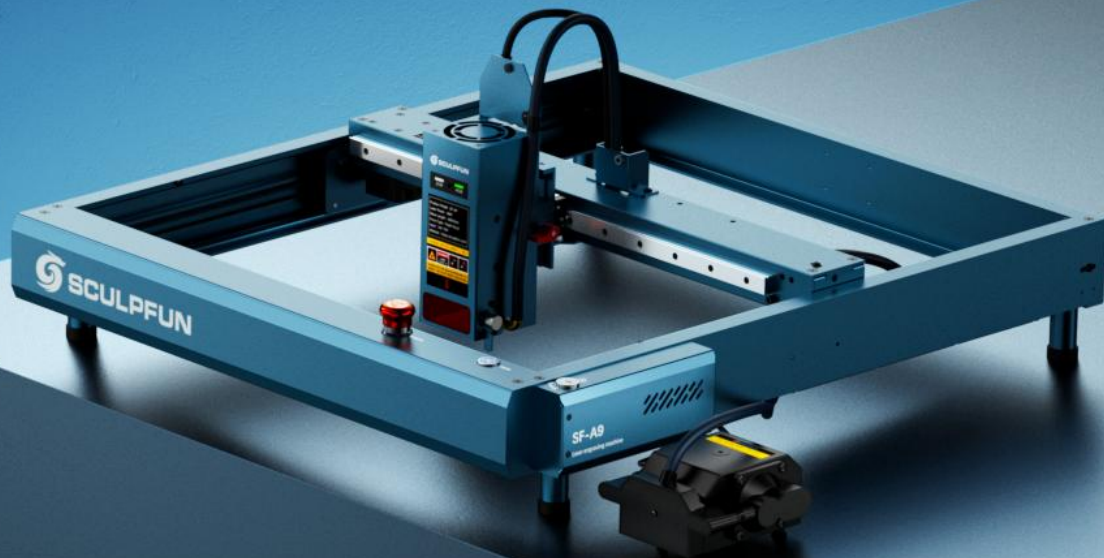


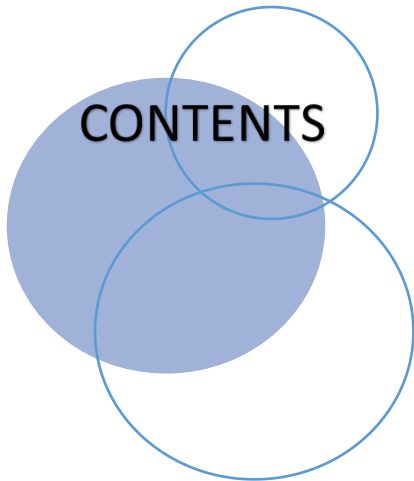
SCULPFUN SF-A9 **40W** **User Manual**

✓English ✓Deutsch ✓Français ✓Italiano ✓español ✓Polski

Please read this manual carefully and keep it properly before using the product

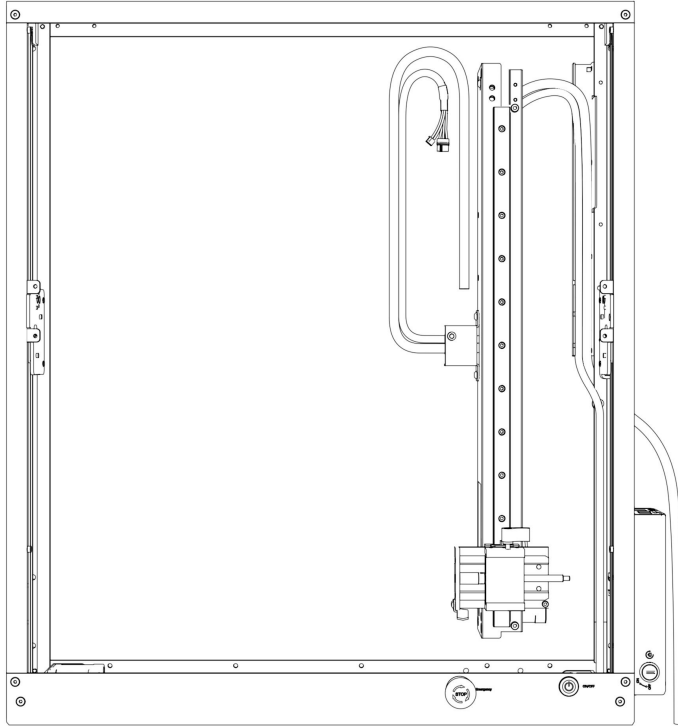
For more information, please scan the QR code to view



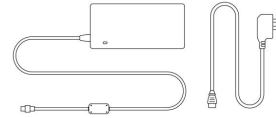


1. Product List -----	1
2. Meet the SF-A9 -----	3
3. Assembling SF-A9 -----	5
4. Focus -----	7
5. APP download & connection -----	8
6.APP interface introduction -----	11
7. PC connection -----	15
8. Instructions for use -----	17

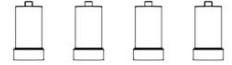
1. Product List



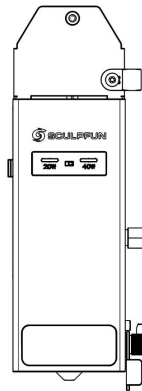
1 x Host



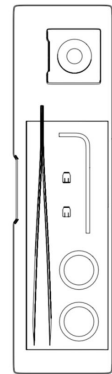
1 x Power Adapter



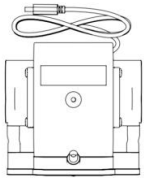
4 x Footing



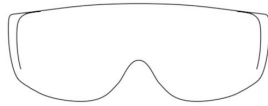
1 x 40W Laser head



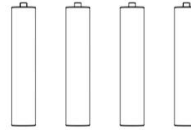
1 x Lens Repair Kit



1 x Air pump



1 x Goggles



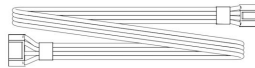
4 x Expand the base



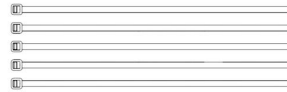
1 x Antenna



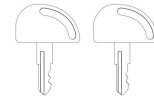
1 x Data cable



1 x Motor wire
(for rotary axis)



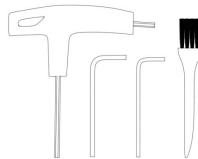
5 x Ties



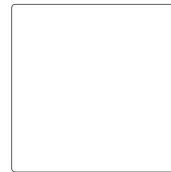
2 x Key



4 x Screw



1 x Toolkit

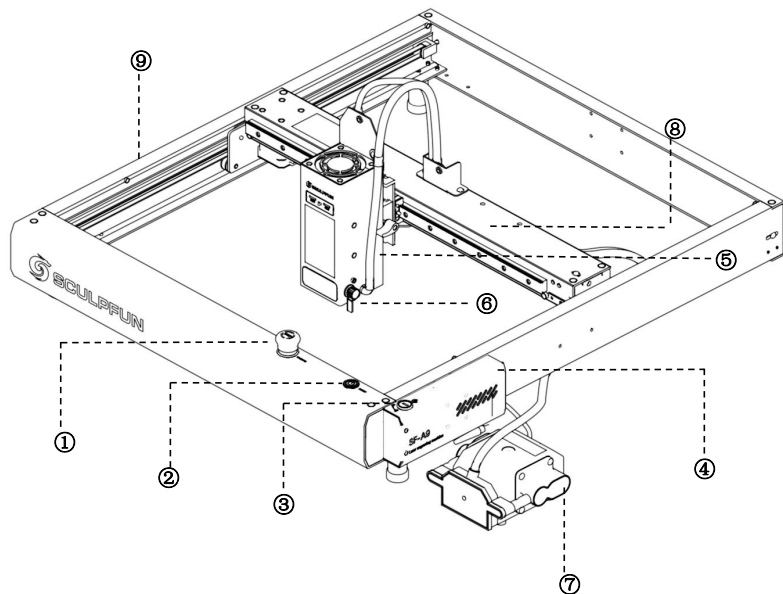


1 x Aluminum plate



2 x Basswood board

2. Meet the SF-A9



① Emergency stop knob

② Switch button

③ Key switch

④ Motherboard box

⑤ Laser

⑥ Fixed focus column

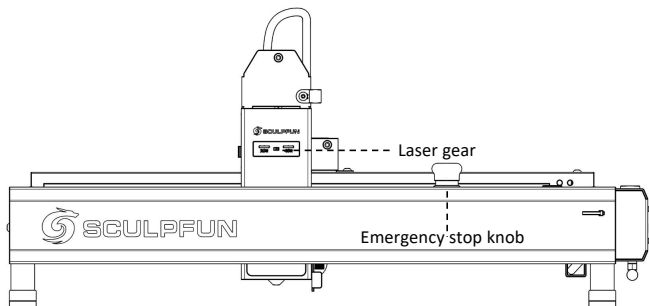
⑦ Air pump

⑧ X axis

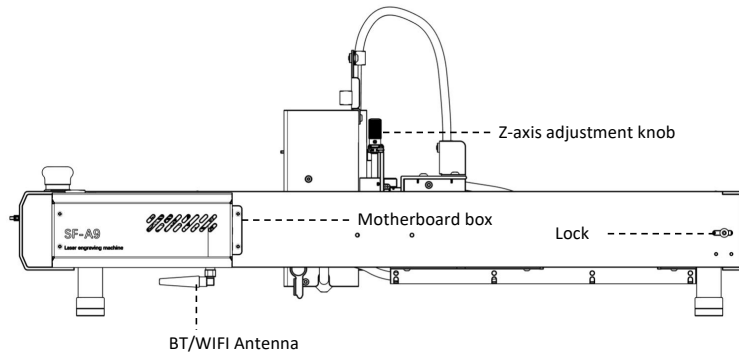
⑨ Y axis

2.1 Structure diagram

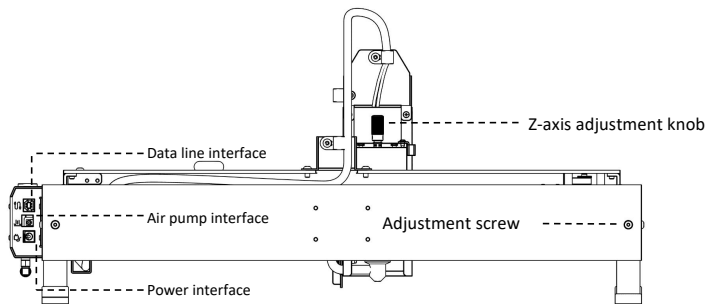
① Front view



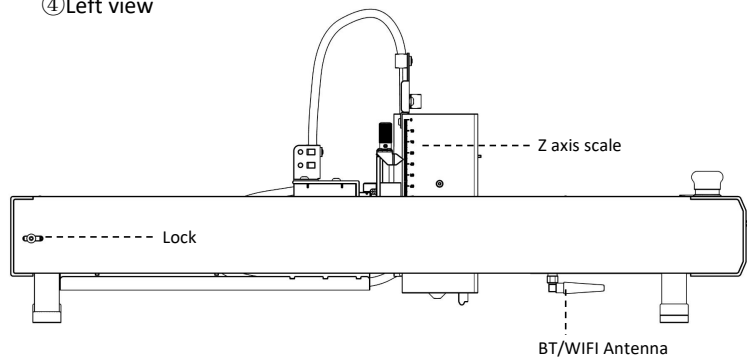
② Right elevation



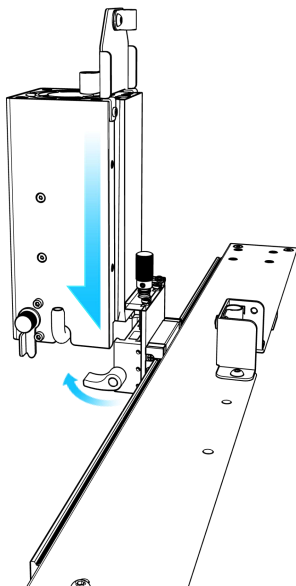
③ Rear view



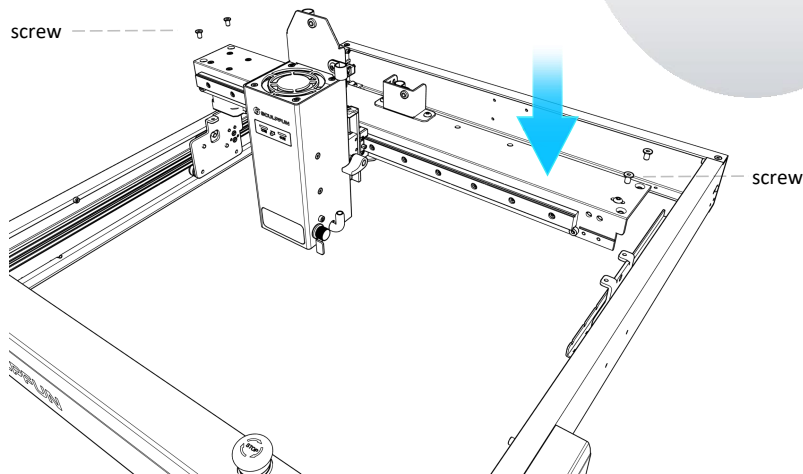
④ Left view



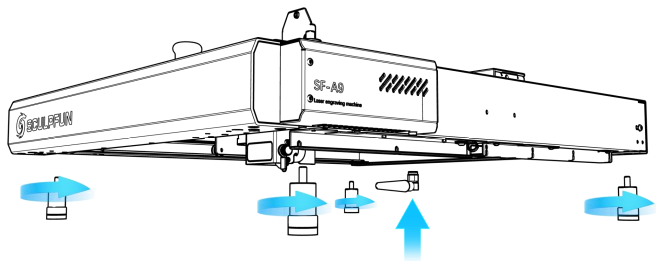
3. Assembling SF-A9



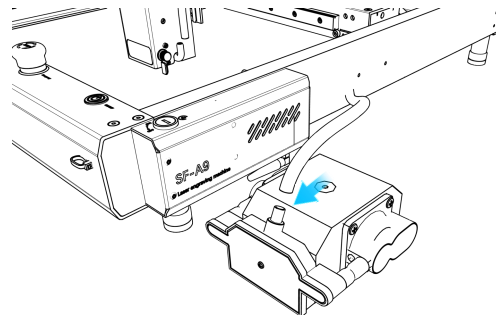
① After opening the packaging box, first install the laser head on the X-axis and tighten the thumb screws.



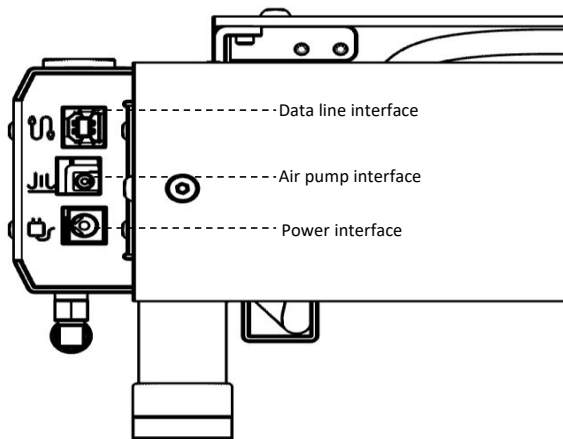
② After taking out the X-axis with the laser head and the host frame installed, place the X-axis on the host frame and tighten the four screws to fix the X-axis.



③ Install four feet and BT/WiFi antenna



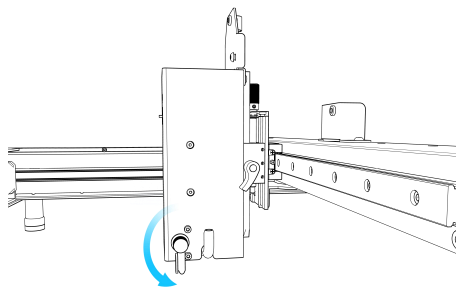
④ Connect the air pipe of the machine to the air pump



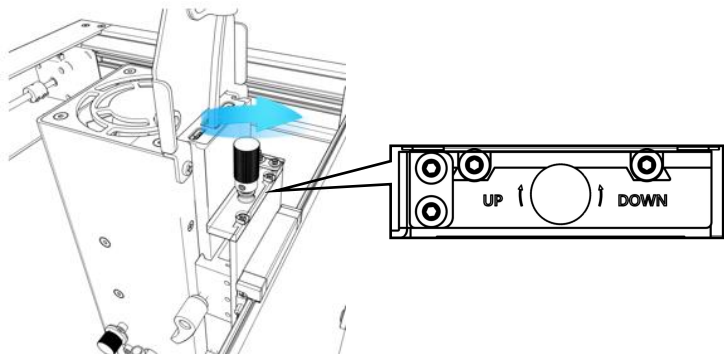
⑤

1. Connect the data interface to the computer
2. Plug the air pump power cord into the air pump interface.
3. Plug in the machine power
4. You can turn on the machine and use it

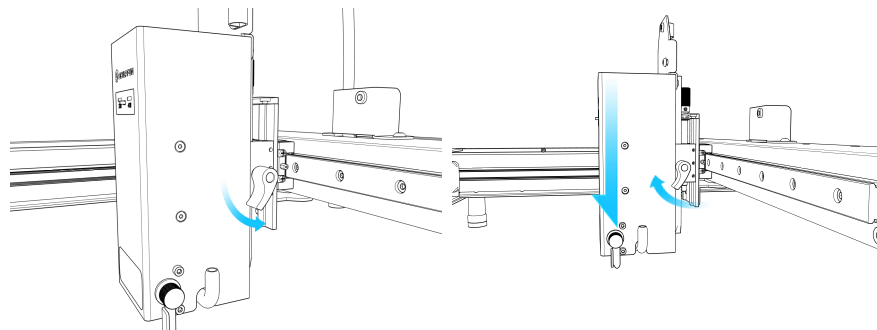
4、 Focus(Quick focus & Precise focus)



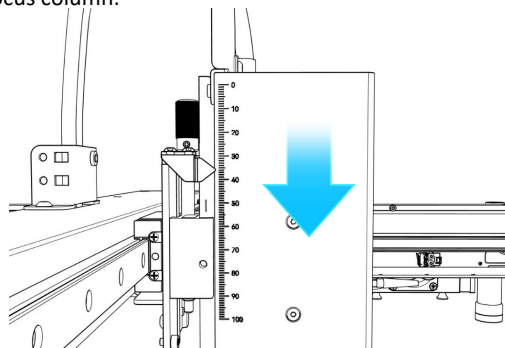
- ① Put down the focusing column on the right side of the laser head



- ③ **Precise focus:** When cutting thick objects, after the quick focus is completed, rotate the precise focus downward 1-3mm to improve the cutting effect.



- ② **Quick focus:** Turn the right hand screw to move the focus column to the surface of the engraving object, tighten the screw, and retract the focus column.



- ④ You can accurately control the height by watching the scale on the left. **Carving objects of different heights requires refocusing,** To ensure the work effect.

5、APP software download

- ① Computer enters the official website to download **Sculpfun Laser Tool (MAC & WIN)**
- ② Search sculpfun on Google Store or Apple Store on your mobile phone, or scan the QR code below.



Android



IOS

PC Tool
(MAC or WIN)

Note:

1. Android needs to use a browser to scan the QR code to download.
2. After successful installation, you need to give corresponding permissions
3. If there is no Google Store, you can scan PC TOOL and enter the official website to download the APK installation version.

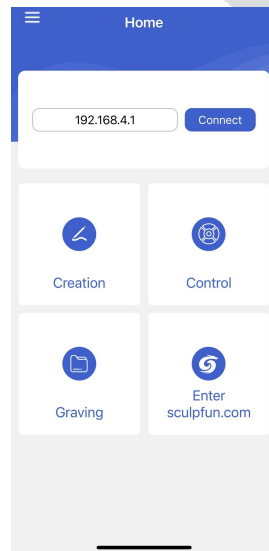
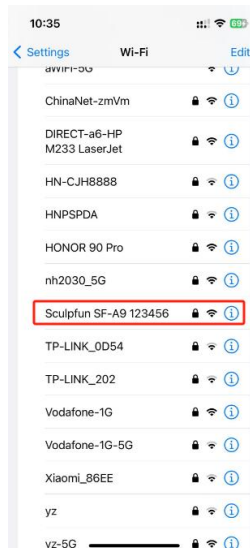


Note: The software upgrade interface may change. Scan the QR code or follow the official YOUTUBE channel to get the latest detailed usage video tutorials. <https://www.youtube.com/@SCULPFUNReal>



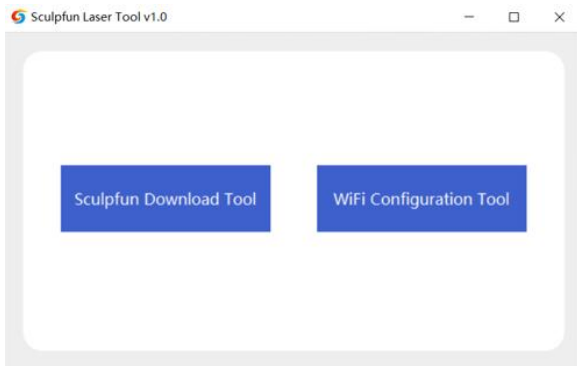
5.1 Mobile APP connection method 1 (AP WIFI)

- ① The factory default is AP mode. After turning on the machine, the machine automatically transmits WIFI
- ② Pass **Mobile phone connected to machine WIFI**, The WIFI name is **Sculpfun SF-A9 XXXXX**, The default password is: **12345678**
- ③ **The default IP address is: 192.168.4.1**, Enter the default IP address in SculpFun APP to connect to the APP

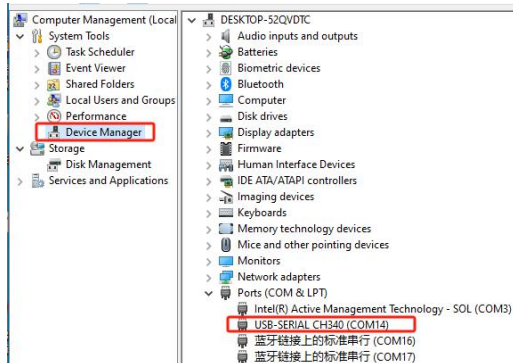


5.2 Mobile APP connection method 2 (WiFi mode: connect to home wifi)

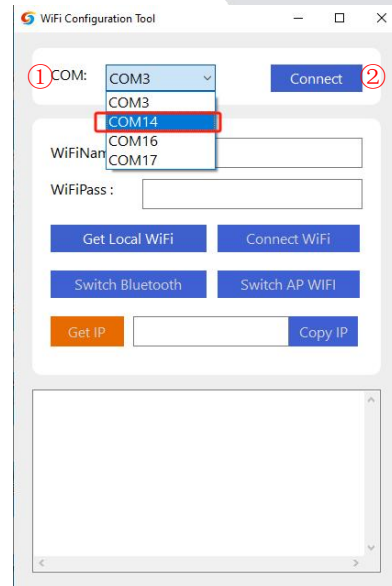
- ① Connect the machine with a data cable **computer**
- ② Open the downloaded **Sculpfun Laser Tool** configuration software on your computer
- ③ Choose **WiFi Configuration Tool**



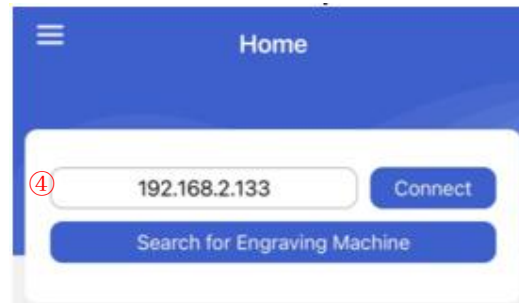
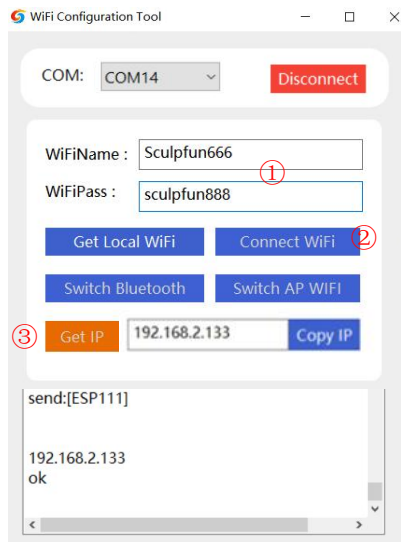
- ① Open computer management
- ② Check the COM corresponding to CH340



- ① Select the COM of the machine
- ② Click Connect to connect the machine



- ① Enter the **WiFi name and password at home**
- ② Click **Connect WiFi**
- ③ Click Get IP to obtain the IP address of the current machine. At this time, you can unplug the data cable and transfer it to the mobile APP for operation.
- ④ Enter the obtained IP address into the mobile APP and click Connect.

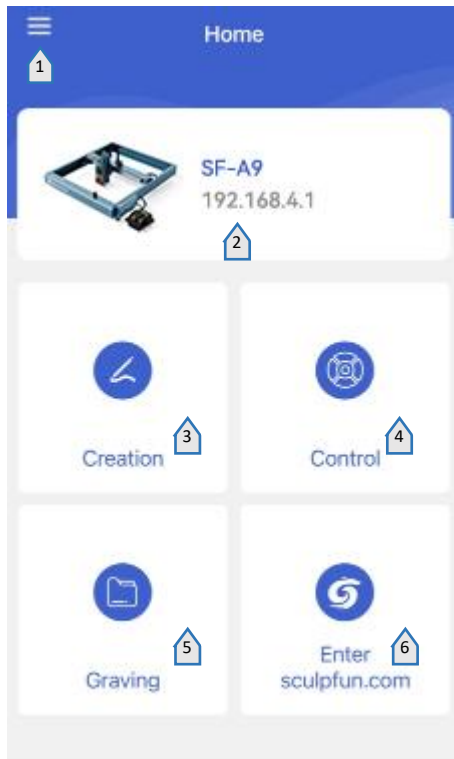
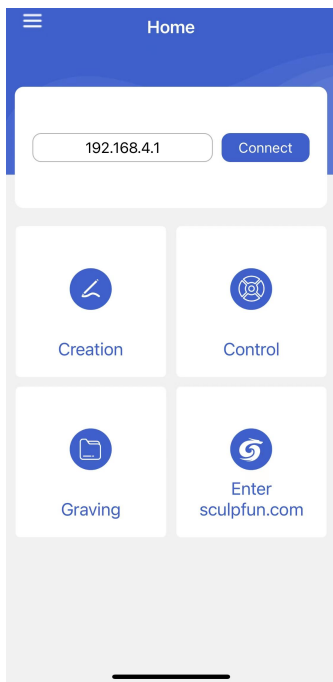


Notice:

1. The machine only supports 2.4Ghz WiFi, please make sure the WiFi at home is 2.4Ghz
2. To obtain the machine IP address, please refer to the software display. The above picture is for reference only.
3. Connect to the WiFi at home. The password does not support special symbols. It only supports English or numerical combinations. If it is too complicated, you need to change the WiFi password.
4. The mobile phone needs to be on the same WiFi network as the machine.

6、APP interface introduction

- ① Fill in the machine WiFi address,
- ② Click Connect to connect the machine
- ③ After connecting, the IP address and name appear.



① Set up

User Agreement/Privacy Terms/Version Information/Language Settings

② Machine information

Machine name/IP address

③ Creation

Camera/Built-in material library/Picture library/Brush/QR code/Edit text

④ Control

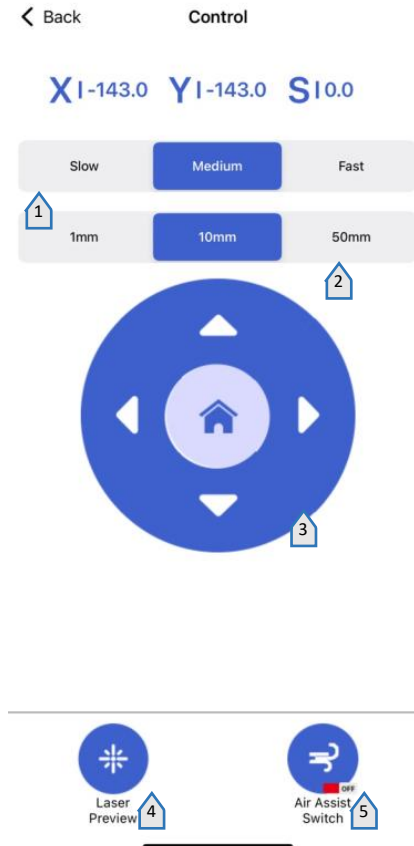
Control engraving machine movement

⑤ Graving

View uploaded files and engravings in the machine

⑥ Visit official website

6.1 Introduction to control interface



① Set the laser moving speed

② Set the distance the laser moves in a single click

③ Control Panel
The middle is reset

④ laser preview

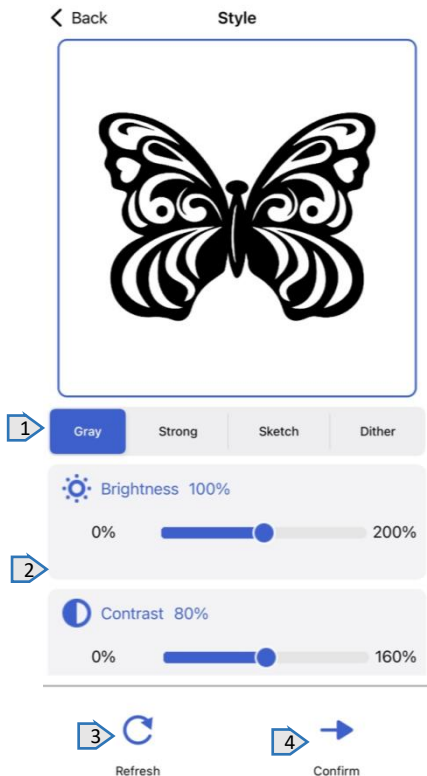
⑤ Air assist

6.2 Introduction to mobile APP creation interface



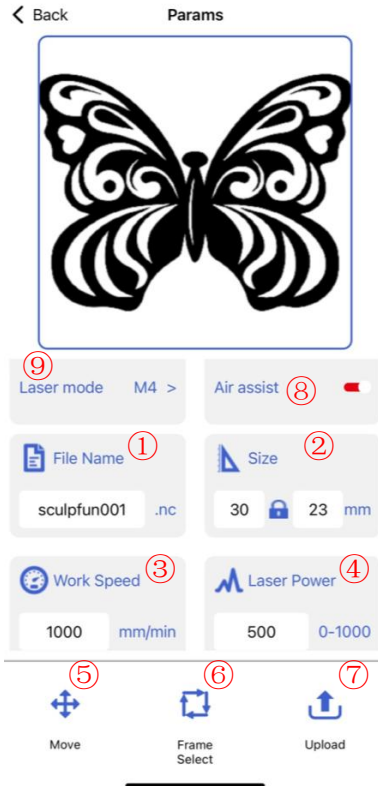
- ① Eraser
- ② Brush
- ③ Drawing area
- ④ Insert shape/QR code
- ⑤ Operating area/text input
- ⑥ Material import

6.3 Engraving mode selection



- ① Mode selection
- ② Corresponding mode parameter settings
- ③ Reset parameters
- ④ After selecting the mode and parameters, select Next to prepare for engraving.

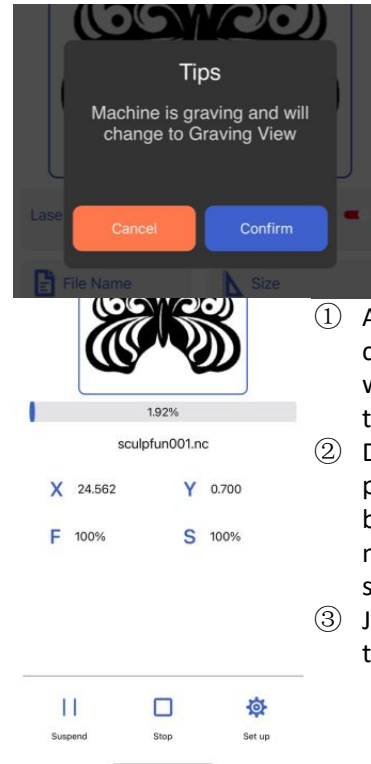
6.4 Engraving parameter settings



- ① Name the file name
- ② Adjust engraving size
- ③ Set engraving speed
- ④ Set engraving power
- ⑤ Move laser position
- ⑥ Engraving preview
- ⑦ Upload engraving file
- ⑧ air assist switch
- ⑨ Engraving mode M3/M4

(M3 constant power M4 variable power)

6.5 Engraving interface



- ① After the upload is completed, the machine will start the engraving task
- ② Displays the engraving progress bar, and the bottom can control the machine to pause and start
- ③ Just wait for the engraving to be completed

7 PC software introduction



Mac OS: [LightBurn](#)

Linux: [LightBurn](#)

Windows: [LightBurn](#) & [LaserGRBL](#)

LightBurn

<https://lightburnsoftware.com/pages/download-trial>



LaserGRBL

<https://lasergrbl.com/download/>

7.1 PC connection method 1 USB connection

- ① Connect the machine to the computer using a data cable
- ② After powering on, open [LightBurn](#) or [LaserGRBL](#) after selecting the machine port. Ready to use



7.2 PC connection method 2 Bluetooth connection

- ① Connect the machine to the computer using a data cable
- ② After the machine is powered on, the computer opens the Sculpfun Laser Tool configuration software
- ③ Click Switch Bluetooth to switch the machine to Bluetooth mode. The text box will display the Bluetooth name of the machine.
- ④ Unplug the USB data cable, **Computer Bluetooth connection machine**
- ⑤ Open [LightBurn](#) or [LaserGRBL](#) and select the corresponding Bluetooth port

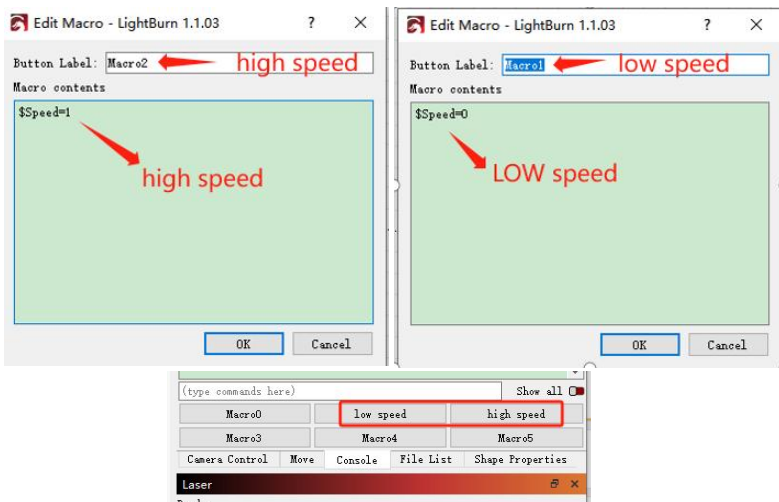
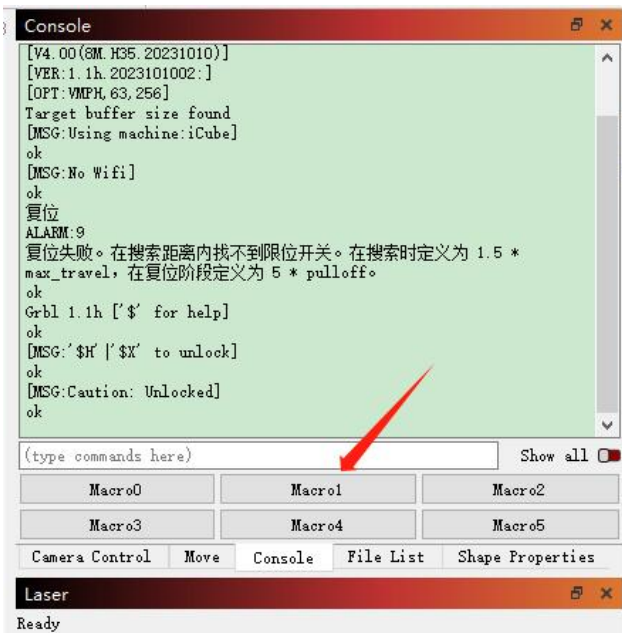
The image shows the following steps:

- ③ In the WiFi Configuration Tool, click the **Switch Bluetooth** button.
- ④ In Windows Device Manager, under 'Bluetooth', the device **Sculpfun SF-A9 63714** is listed. A red box highlights this device name.
- ⑤ In the software interface, the device is identified as **蓝牙设备上的标准串行 (COM16)**. A red box highlights this name, and a red arrow points to the **COM16** port selected in the 'Devices' dropdown menu.

7.3 Computer mode switching (precision mode-high-speed mode)

- ① The machine defaults to precision mode, which can be modified through lightburn
- ② After opening lightburn, set the macro button in the console
- ③ `$$Speed=0(low speed)`、`$$Speed=1(high speed)`
- ④ Subsequently, you can switch with one click through the set macro button.

	X.max mm/min	Y.max mm/min	acceleration
<code>\$\$speed=0</code> (low)	20000	20000	1000
<code>\$\$speed=1</code> (high)	36000	36000	3000



low More suitable for cutting
high More suitable for engraving and faster

8、Instructions for use

Thank you for purchasing our company's laser engraving machine. This equipment is a high-tech product that integrates light, machinery and electricity. In order for you to better use and maintain this equipment, please read the user manual carefully and follow the steps in the user manual.

Important statement!

All losses caused by improper use or failure to follow the instructions in the user manual shall be borne by the individual. The company has the final right to interpret this manual and has the right to modify all information, data, technical details, etc. in this manual.

Safety Precautions

- *Before operating the equipment, users must carefully read the user manual and strictly abide by the operating procedures.
- *Laser processing may involve risks. Users should carefully consider whether the object being processed is suitable for laser operations.
- *Processing objects and emissions should comply with local laws and regulations.
- *This equipment uses a Class IV laser (strong laser radiation). This laser radiation may cause the following conditions:
 - ① Ignite surrounding flammable materials;
 - ② During the laser processing process, other radiation and toxic and harmful gases may be produced depending on the processing objects;
 - ③ Direct irradiation of laser radiation can cause human injury. The place of use must be equipped with fire-fighting equipment. It is prohibited to stack flammable and explosive items around the workbench and equipment. At the same time, good ventilation must be maintained.
- *The environment where the equipment is located should be dry, free of pollution, vibration, strong electricity, strong magnetism and other interference and influence. Working environment temperature 10-35°C, working environment humidity 5-95% (no condensation)

Notice!



1. After the laser is turned on, it is strictly prohibited to aim it at humans, animals, and flammable objects to avoid skin burns and fires.

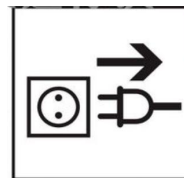


2. The brightness of the laser is harmful to your eyes. Please try not to look directly at the laser.



禁止伸入
No reaching in

3. Keep your hands away from the machine when the machine is working to avoid injury.



4. Unplug the machine when not in use to avoid misoperation by third parties.

8.1 Recommended material parameters

Recommended parameters for precision mode

SF-A9 40W (laser head power is about 40W)

40W	Material name	power(%)	speed(mm/m)	frequency
cutting	6.2mm Corrugated paper	100%	≤2500	1
	2.2mm artificial leather	100%	≤1000	1
	8mm MDF	100%	≤250	1
	30mm Paulownia	100%	≤200	2
	3mm Basswood	100%	≤1500	1
	20mm Basswood	100%	≤150	1
	12mm Acrylic	100%	≤100	2

Note: The following parameters are tested in a laboratory environment and are for reference only.

There are differences between different materials, and the parameters will fluctuate.

SF-A9 20W (laser head power is about 20W)

20W	Material name	power(%)	speed(mm/m)	frequency
cutting	4mm MDF	100%	≤200	1
	8mm MDF	100%	≤200	3
	10mm Paulownia	100%	≤400	1
	25mm Paulownia	100%	≤200	3
	3mm Basswood	100%	≤850	1
	10mm Basswood	100%	≤200	1
	20mm Basswood	100%	≤200	3

40W	Material name	power(%)	speed(mm/m)	frequency
Sculpture	Corrugated paper	15%	6000	1
	Artificial leather	15%	8000	1
	MDF	20%	6000	1
	Bamboo	25%	5000	1
	Basswood	30%	6000	1
	lacquered metal	30%	5000	1

20W	Material name	power(%)	speed(mm/m)	frequency
Sculpture	Corrugated paper	10%	3000	1
	Artificial leather	10%	5000	1
	MDF	10%	2000	1
	Bamboo	15%	2500	1
	Basswood	20%	3000	1
	lacquered metal	20%	3000	1

High speed mode parameter recommendation

SF-A9 40W (laser head power is about 40W)

40W	Material name	power(%)	speed(mm/m)	frequency
Sculpture	Corrugated paper	55%	36000	1
	Artificial leather	50%	36000	1
	MDF	75%	36000	1
	Bamboo	100%	36000	1
	Basswood	100%	36000	1
	lacquered metal	60%	36000	1

SF-A9 20W (laser head power is about 20W)

20W	Material name	power(%)	speed(mm/m)	frequency
Sculpture	Corrugated paper	100%	36000	1
	Artificial leather	70%	36000	1
	MDF	100%	30000	1
	Bamboo	100%	15000	1
	Basswood	100%	10000	1
	lacquered metal	100%	36000	1

Note: The following parameters are tested in a laboratory environment and are for reference only. There are differences between different materials, and the parameters will fluctuate.

8.2 Common problem

1、 Why doesn't the laser fan spin?

- ① When the laser stops working, the fan will automatically stop after 2 minutes of cooling to avoid noise. After starting work, it will rotate again

2、 How to manually position SF-A9

- ① Put down the fixed focus column on the right side of the laser and loosen the thumb screw.
- ② Slide the laser up and down so that the fixed focus column bears against the surface of the object to be processed.
- ③ Tighten the thumb screw and retract the fixed focus column.
- ④ When cutting thick objects, after focus is completed, you can use the rear Z-axis knob to observe the left scale and lower it by 1-3mm to improve the cutting effect.

3、 No response when connecting to mobile APP

- ① There are two ways to connect the APP, AP wifi mode and wifi mode
- ② In AP wifi mode, the machine will automatically launch wifi, the name is Sculpfun SF-A9 XXXXX, the default password is 12345678, open the APP after connecting, the default IP address is 192.168.4.1.
- ③ In wifi mode, you need to use computer tools to connect to wifi. Please note that it can only connect to 2.4Ghz wifi and does not support special symbols. If it cannot be used normally, you can contact our customer service and send back a screenshot of the mobile phone configuration to receive quick technical support.

4、 How should the machine be maintained and how often?

- ① X linear guides need to be regularly coated with lubricating oil or grease to prevent rust.

Maintenance cycle: Frequent users, defined as using the machine for more than 8 hours a day. Maintenance is required at least every 15 days

Light users are defined as using the machine for no more than 2 hours a day. Requires maintenance at least every 2 months

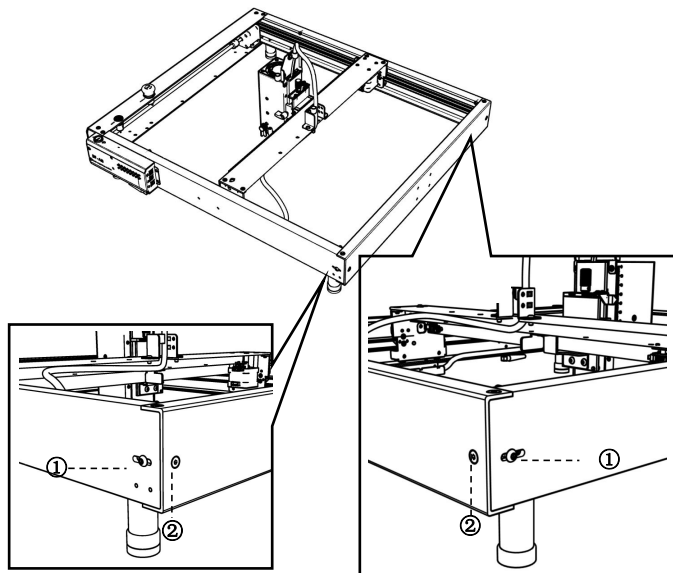
During the maintenance cycle, if dirt and impurities appear, the surface of the guide rail needs to be cleaned immediately and grease is applied after ensuring it is clean.

5、 The carved circle is deformed, round is not round, square is not square

Reason: Maybe the belt is too tight

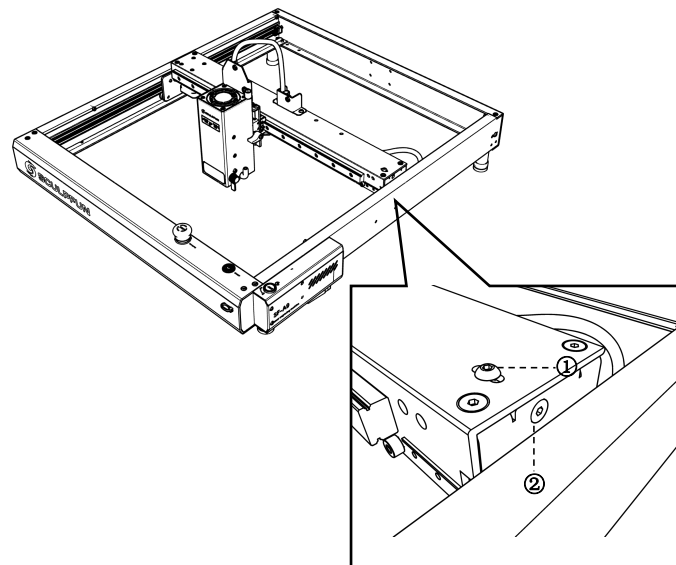
Step: Please check the belt. Use your fingers to hold the upper and lower parts of the belt at the same time to feel the tightness. If it is too loose or too tight. Refer to the next question to adjust the tightness.

6、 How to adjust belt tightness



Adjust the conveyor belts on the left and right fenders

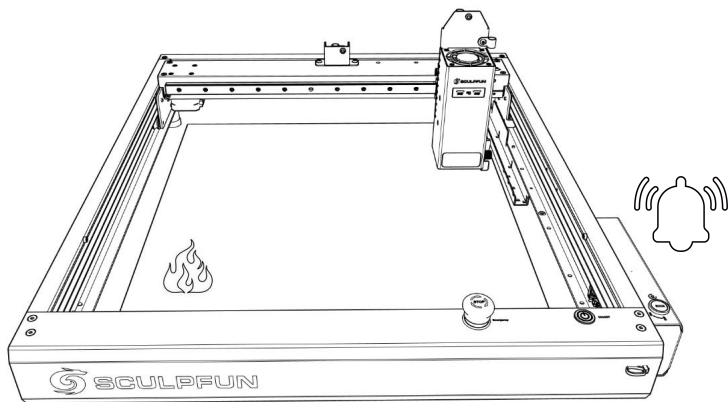
- (1) Loosen screw 1 first, then adjust screw 2
- (2) When adjusting screw 2, tighten it clockwise; loosen it counterclockwise.
- (3) The tightness of the conveyor belts on the left and right baffles must be consistent, otherwise it will affect the engraving effect.
- (4) After adjusting the tightness, tighten screw 1.



Adjusting the conveyor belt on the center plate

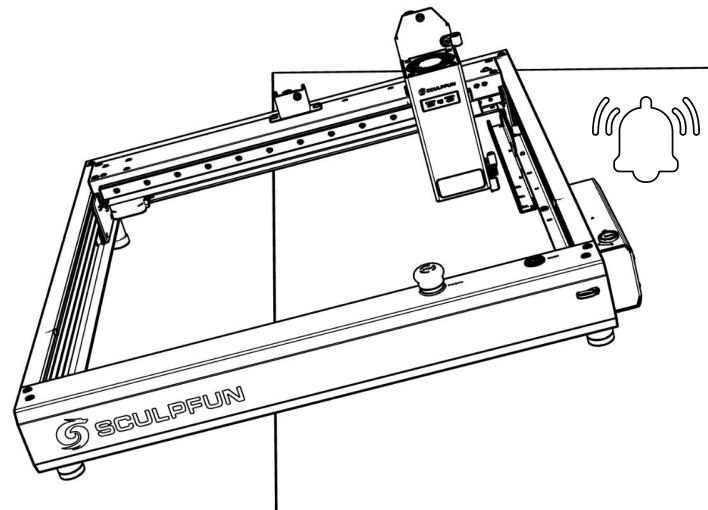
- (1) Loosen screw 1 first, then adjust screw 2
- (2) When adjusting screw 2, tighten it clockwise; loosen it counterclockwise.
- (3) After adjusting the tightness, tighten screw 1

7、 Flame alarm instructions



- (1) There is a built-in flame sensor + temperature sensor under the laser.
- (2) After detecting the flame, the machine will automatically calculate the safest distance. After the laser head moves to a safe position, it will stop working and alarm to avoid danger.
- (3) The alarm sound will not stop automatically and the machine needs to be restarted manually.

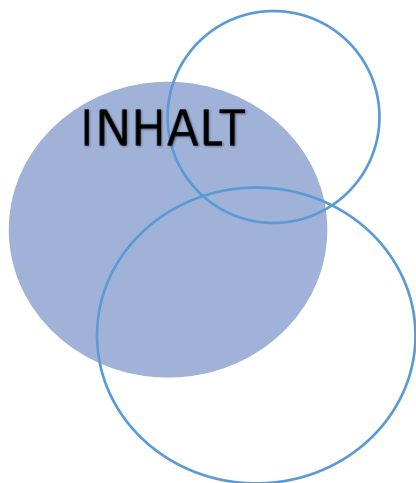
8、 Tilt alarm description



- (1) The machine has a built-in tilt sensor
- (2) When the table on which the machine is placed tilts and the angle exceeds 15°, it will stop working and alarm to avoid danger.
- (3) The alarm sound will not stop automatically and the machine needs to be restarted manually.

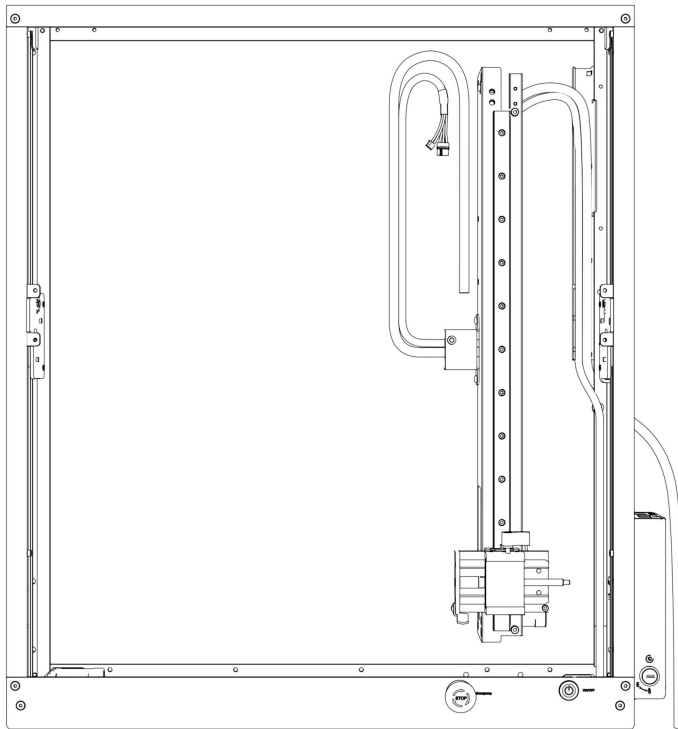
9、 If the above steps cannot be solved by yourself, or you have other questions.

You can send the fault video, machine and other information to SculpFun official after-sales email(support@sculpfun.com), After-sales personnel will handle it for you

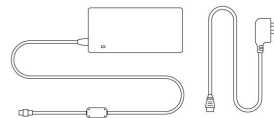


1. Produktliste -----	1
2. Lernen Sie den SF-A9 kennen -----	3
3. Zusammenbau des SF-A9 -----	5
4. Fokus -----	7
5. APP-Download und Verbindung -----	8
6. Einführung in die APP-Schnittstelle -----	11
7. PC-Anschluss -----	15
8. Gebrauchsanweisung -----	17

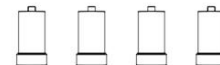
1. Produktliste



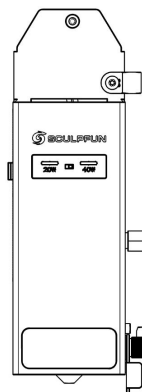
1 x Gastgeber



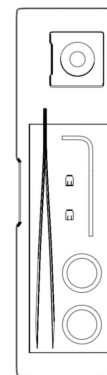
1 x Netzteil



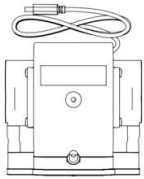
4 x Fundament



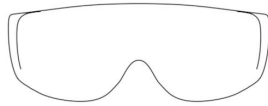
1 x 40W Laserkopf



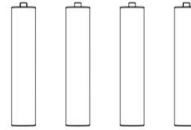
1 x
Objektiv-Reparatursatz



1 x Luftpumpe



1 x Brille



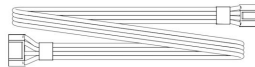
4 x Erweitern Sie die Basis



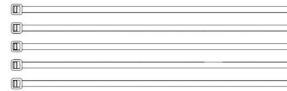
1 x Antenne



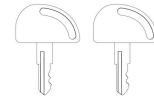
1 x Datenkabel



1 x Motorkabel
(für Rundachse)



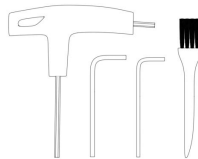
5 x Krawatten



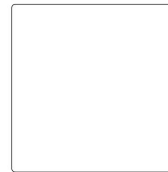
2 x Schlüssel



4 x Schrauben



1 x Toolkit

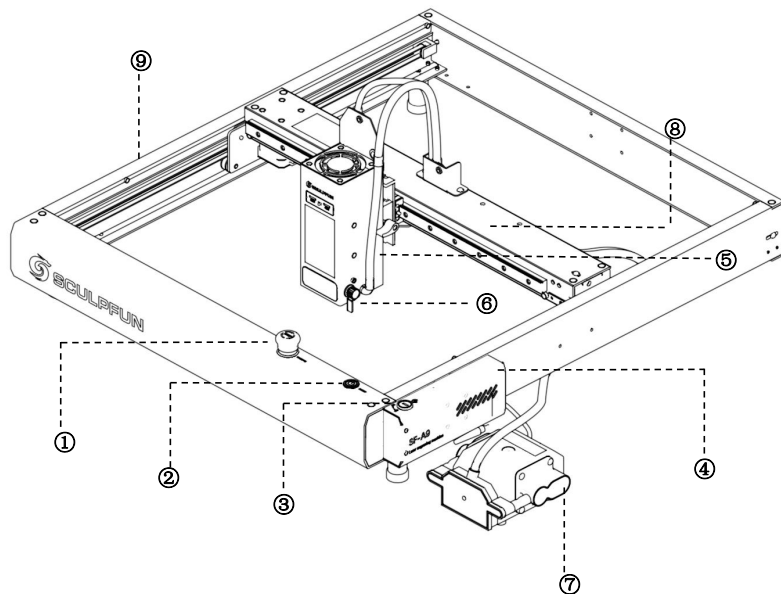


1 x Aluminiumteller



2 x Brett aus Lindenholz

2. Lernen Sie den SF-A9 kennen



① Not-Aus-Knopf

② Schaltertaste

③ Schlüsselschalter

④ Motherboard-Box

⑤ Laser

⑥ Fixierte Fokusspalte

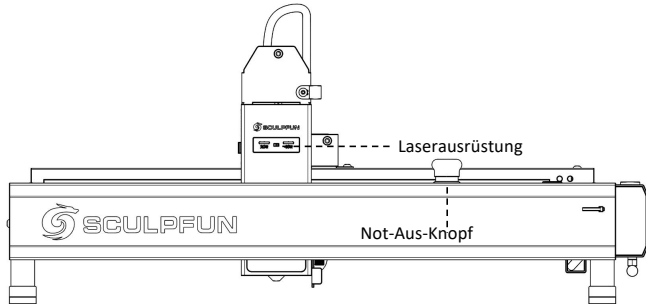
⑦ Luftpumpe

⑧ X-Achse

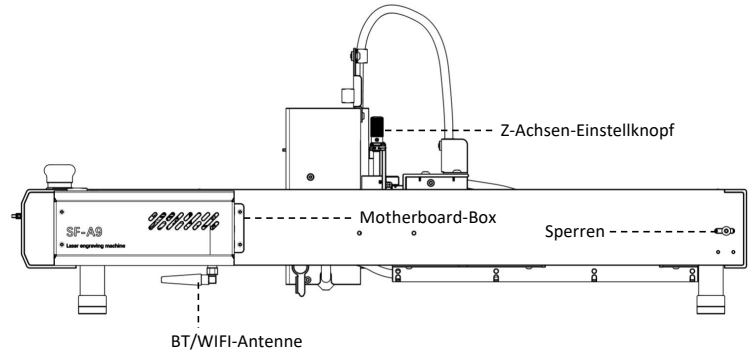
⑨ Y-Achse

2.1 Strukturdiagramm

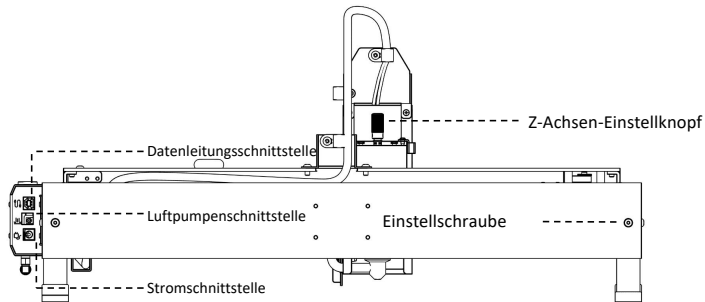
① Vorderansicht



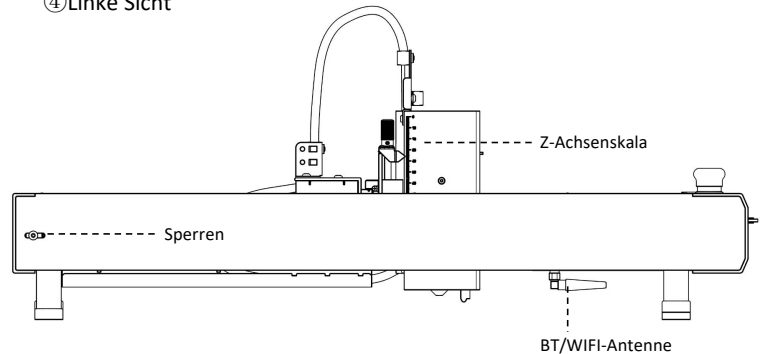
② Rechte Erhebung



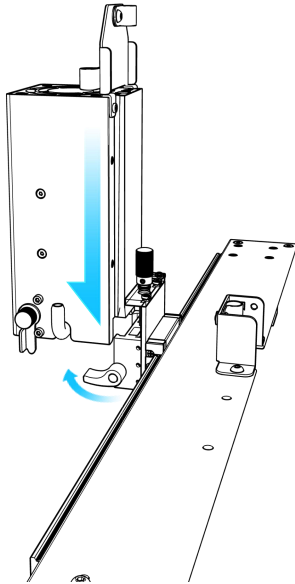
③ Rückansicht



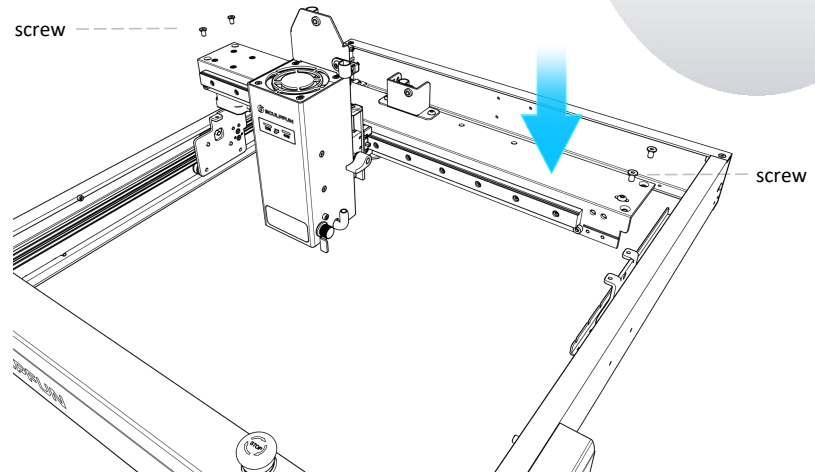
④ Linke Sicht



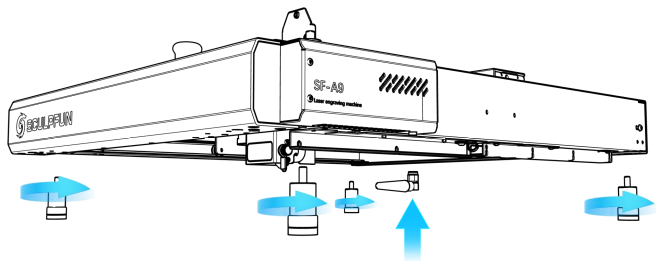
3. Zusammenbau des SF-A9



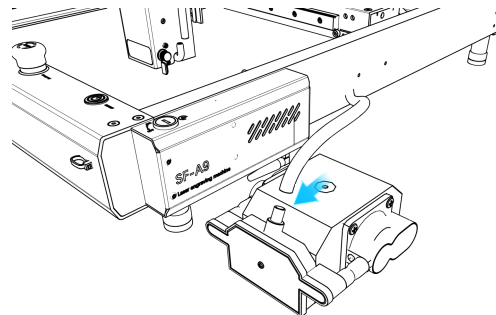
① Nach dem Öffnen der Verpackung installieren Sie zunächst den Laserkopf auf der X-Achse und ziehen Sie die Rändelschrauben fest.



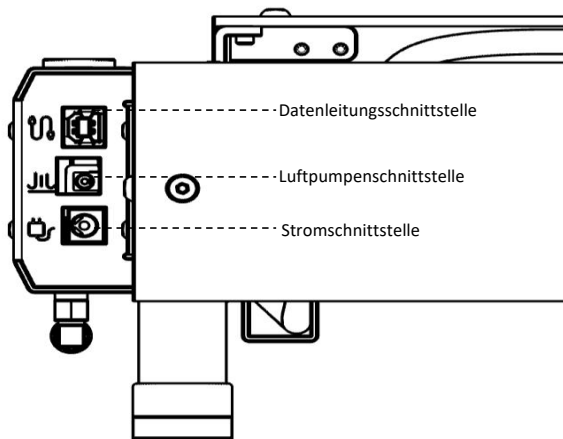
② Nachdem Sie die X-Achse mit installiertem Laserkopf und Hostrahmen herausgenommen haben, platzieren Sie die X-Achse auf dem Hostrahmen und ziehen Sie die vier Schrauben fest, um die X-Achse zu befestigen.



③ Installieren Sie vier FüÙe und eine BT/WiFi-Antenne



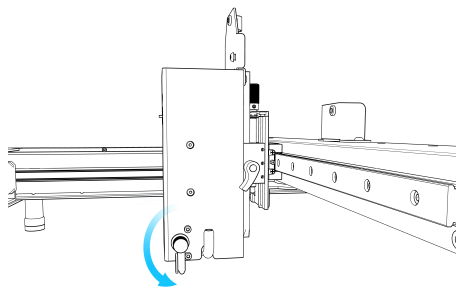
④ Schließen Sie den Luftschlauch der Maschine an die Luftpumpe an



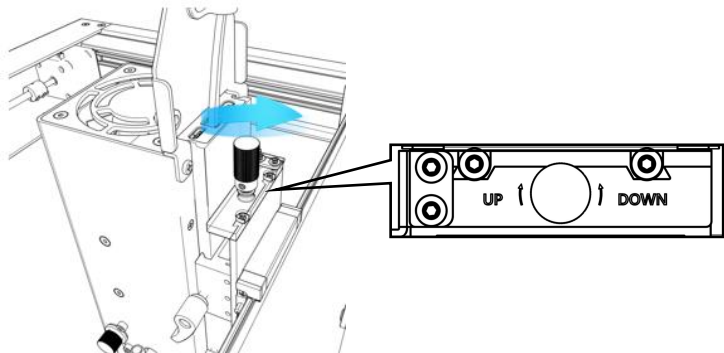
⑤

1. Schließen Sie die Datenschnittstelle an den Computer an
2. Stecken Sie das Netzkabel der Luftpumpe in die Luftpumpenschnittstelle.
3. Schließen Sie die Stromversorgung der Maschine an
4. Sie können die Maschine einschalten und verwenden

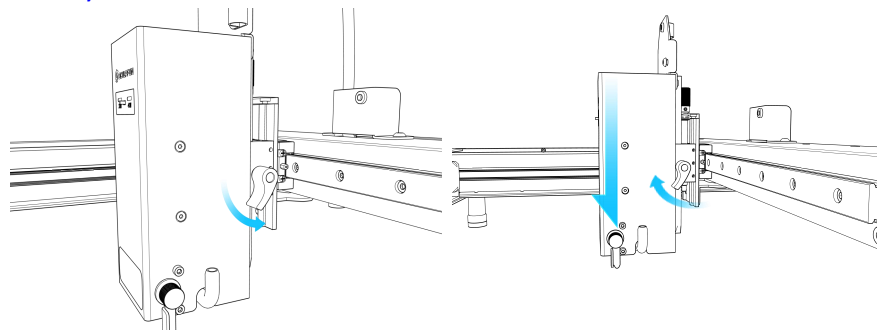
4、 Fokus (Schneller Fokus und präziser Fokus)



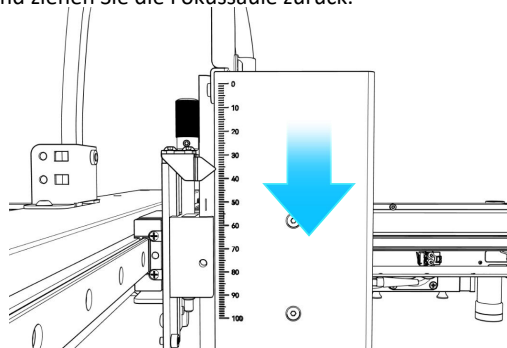
- ① Setzen Sie die Fokussiersäule auf der rechten Seite des Laserkopfes ab



- ③ **Präziser Fokus:** Wenn Sie dicke Objekte schneiden, drehen Sie den präzisen Fokus nach Abschluss der Schnellfokussierung um 1–3 mm nach unten, um den Schneideffekt zu verbessern.



- ② **Schnellfokus:** Drehen Sie die rechte Schraube, um die Fokussäule zur Oberfläche des Gravurobjekts zu bewegen, ziehen Sie die Schraube fest und ziehen Sie die Fokussäule zurück.



- ④ Sie können die Höhe genau steuern, indem Sie die Skala auf der linken Seite beobachten. **Das Schneiden von Objekten unterschiedlicher Höhe erfordert eine Neufokussierung,** um den Arbeitseffekt sicherzustellen.

5. APP-Software herunterladen

- ① Der Computer ruft die offizielle Website zum Herunterladen auf **Sculpfun Laser Tool (MAC & WIN)**
- ② Suchen Sie sculpfun im Google Store oder Apple Store auf Ihrem Mobiltelefon oder scannen Sie den untenstehenden QR-Code.



Android



iOS



PC Tool
(MAC or WIN)

Notiz:

1. Android muss einen Browser verwenden, um den QR-Code zum Herunterladen zu scannen.
2. Nach erfolgreicher Installation müssen Sie entsprechende Berechtigungen erteilen
3. Wenn es keinen Google Store gibt, können Sie PC TOOL scannen und die offizielle Website aufrufen, um die APK-Installationsversion herunterzuladen.

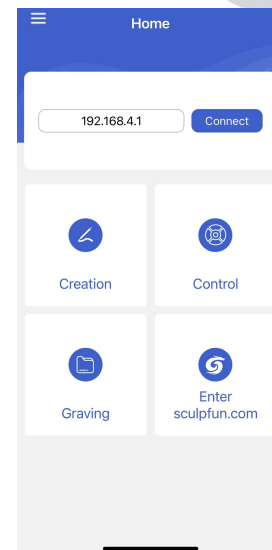
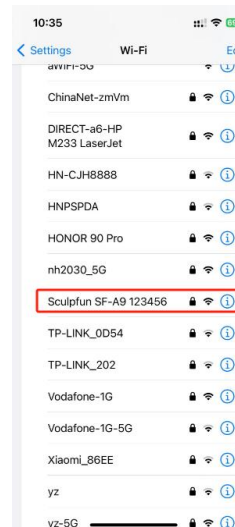


Hinweis: Die Software-Upgrade-Schnittstelle kann sich ändern. Scannen Sie den QR-Code oder folgen Sie dem offiziellen YOUTUBE-Kanal, um die neuesten detaillierten Video-Tutorials zur Verwendung zu erhalten. <https://www.youtube.com/@SCULPFUNReal>



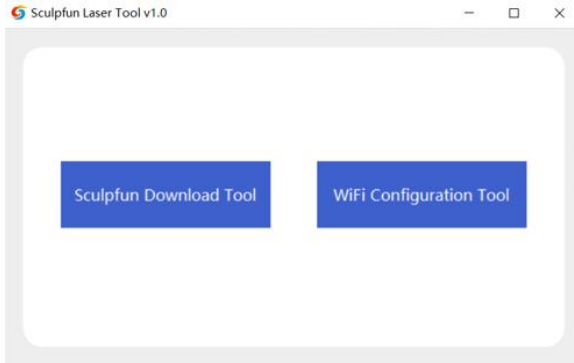
5.1 Mobile APP-Verbindungsmethode 1 (AP WIFI)

- ① Die Werkseinstellung ist der AP-Modus. Nach dem Einschalten der Maschine überträgt die Maschine automatisch WLAN
- ② Bestehen Sie, dass das Mobiltelefon mit dem WLAN des Geräts verbunden ist. Der **WLAN-Name lautet Sculpfun SF-A9 XXXXX. Das Standardkennwort lautet: 12345678**
- ③ Die **Standard-IP-Adresse lautet: 192.168.4.1**. Geben Sie die Standard-IP-Adresse in der SculpFun-App ein, um eine Verbindung zur APP herzustellen

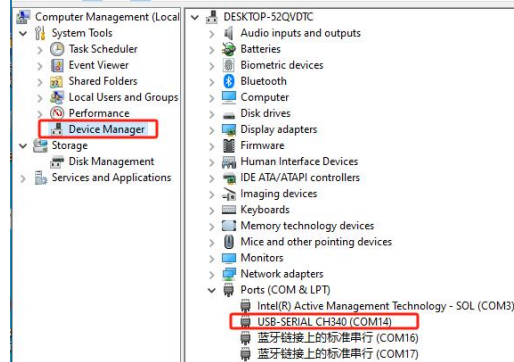


5.2 Mobile APP-Verbindungsmethode 2 (WIFI-Modus: Verbindung zum Heim-WLAN herstellen)

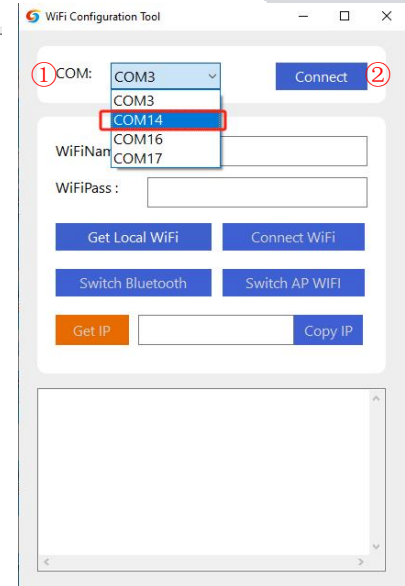
- ① Verbinden Sie die Maschine mit einem Datenkabel-Computer
- ② Öffnen Sie die heruntergeladene Sculpfun Laser Tool-Konfigurationssoftware auf Ihrem Computer
- ③ Wählen Sie WLAN-Konfigurationstool



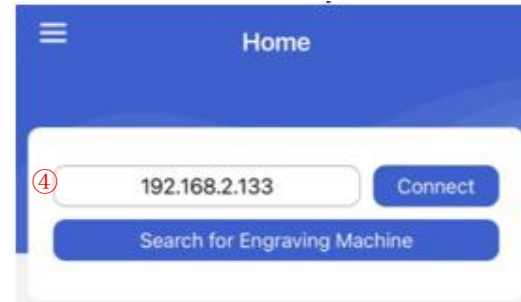
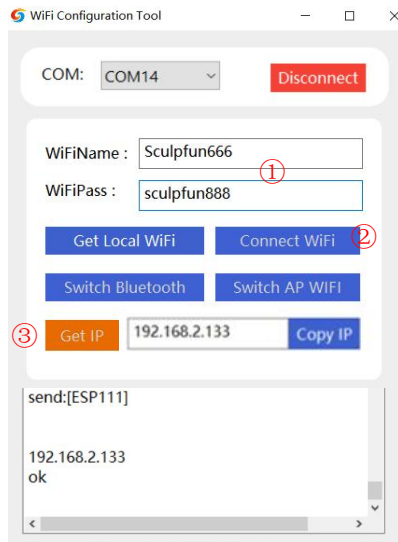
- ① Öffnen Sie die Computerverwaltung
- ② Überprüfen Sie die COM, die CH340 entspricht



- ① Wählen Sie die COM der Maschine aus
- ② Klicken Sie auf „Verbinden“, um die Maschine zu verbinden



- ① Geben Sie zu Hause den WLAN-Namen und das Passwort ein
- ② Klicken Sie auf WLAN verbinden
- ③ Klicken Sie auf IP abrufen, um die IP-Adresse des aktuellen Computers abzurufen. Zu diesem Zeitpunkt können Sie das Datenkabel abziehen und es zur Bedienung auf die mobile APP übertragen.
- ④ Geben Sie die erhaltene IP-Adresse in die mobile APP ein und klicken Sie auf „Verbinden“.

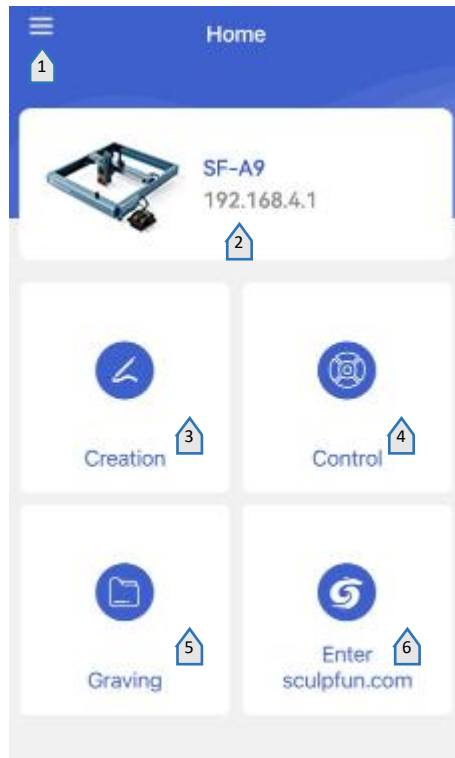
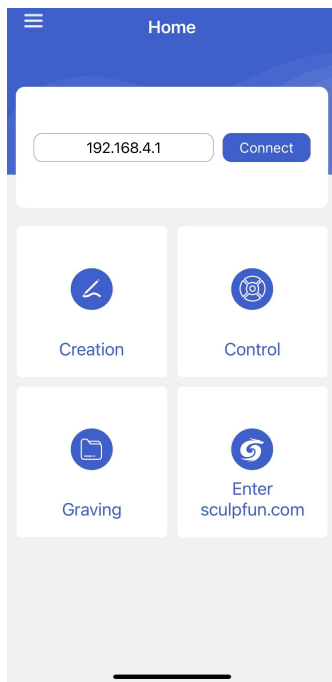


Beachten:

1. Das Gerät unterstützt nur 2,4 GHz WLAN. Bitte stellen Sie sicher, dass das WLAN zu Hause 2,4 GHz beträgt
2. Um die IP-Adresse des Geräts zu erhalten, sehen Sie sich bitte die Softwareanzeige an. Das obige Bild dient nur als Referenz.
3. Stellen Sie eine Verbindung zum WLAN zu Hause her. Das Passwort unterstützt keine Sonderzeichen. Es werden nur englische oder numerische Kombinationen unterstützt. Wenn es zu kompliziert ist, müssen Sie das WLAN-Passwort ändern.
4. Das Mobiltelefon muss sich im selben WLAN-Netzwerk wie die Maschine befinden.

6、Einführung in die APP-Schnittstelle

- ① Geben Sie die WLAN-Adresse des Geräts ein.
- ② Klicken Sie auf „Verbinden“, um die Maschine zu verbinden
- ③ Nach dem Herstellen der Verbindung werden die IP-Adresse und der Name angezeigt.



① Einrichten

Benutzervereinbarung/Datenschutzbestimmungen/Versionsinformationen/Spracheinstellungen

② Maschineninformationen

Maschinenname/IP-Adresse

③ Schaffung

Kamera/Integrierte Materialbibliothek/Bildbibliothek/Pinsel /QR-Code/Text bearbeiten

④ Kontrolle

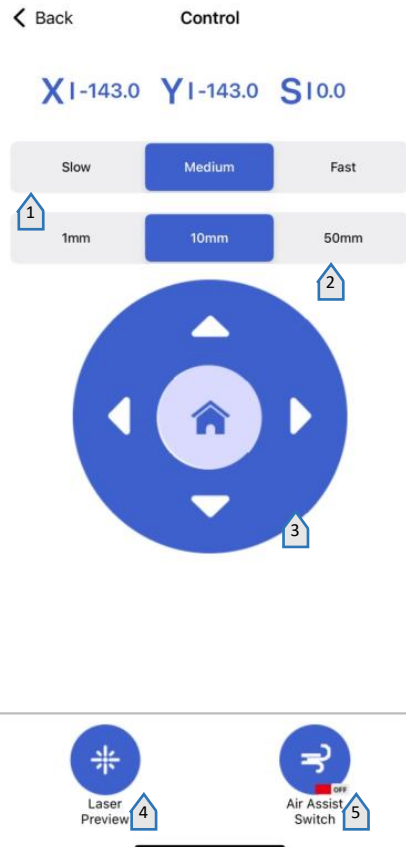
Steuern Sie die Bewegung der Graviermaschine

⑤ Graben

Auf die Maschine hochgeladene Dateien anzeigen

⑥ Besuchen Sie die offizielle Website

6.1 Einführung in die Steuerschnittstelle



① Stellen Sie die Laserbewegungsgeschwindigkeit ein

② Stellen Sie die Distanz ein, die der Laser mit einem einzigen Klick zurücklegt

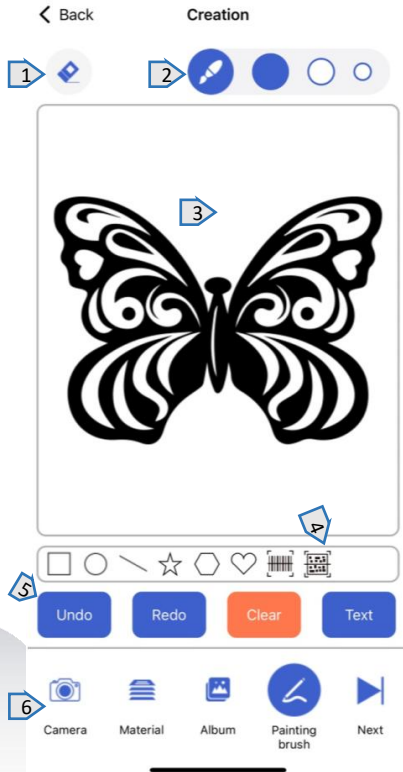
③ Bedienfeld

Die Mitte wird zurückgesetzt

④ Laservorschau

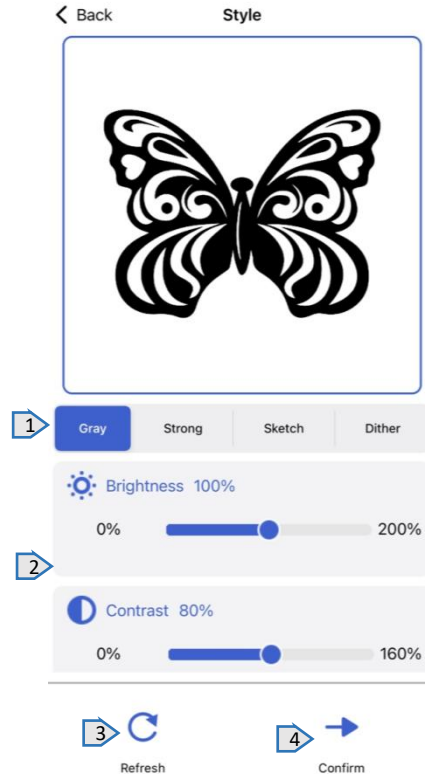
⑤ Luftunterstützung

6.2 Einführung in die Schnittstelle zur Erstellung mobiler Apps



- ① Radiergummi
- ② Bürste
- ③ Zeichenbereich
- ④ Form/QR-Code einfügen
- ⑤ Bedienbereich/Texteingabe
- ⑥ Materialimport

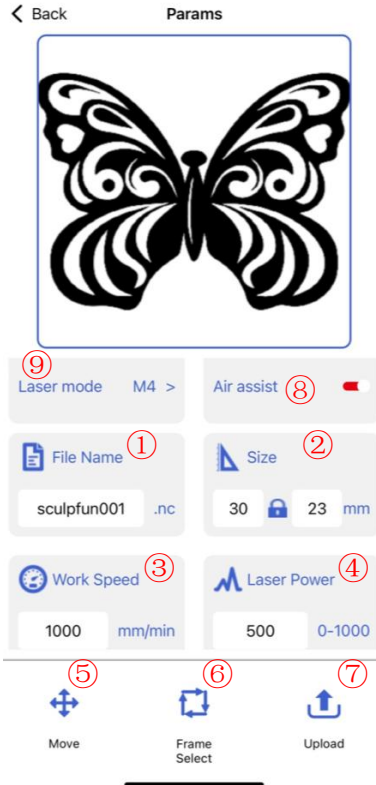
6.3 Auswahl des Gravurmodus



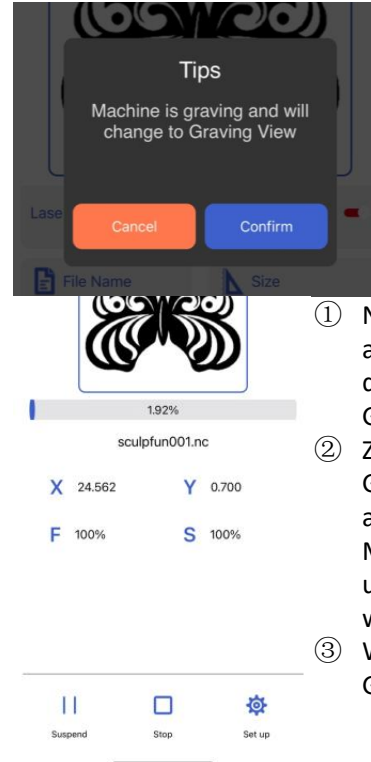
- ① Modusauswahl
- ② Entsprechende Modusparameter einstellen
- ③ Parameter zurücksetzen
- ④ Nachdem Sie den Modus und die Parameter ausgewählt haben, wählen Sie Weiter, um die Gravur vorzubereiten.

6.4 Einstellungen der Gravurparameter

6.5 Gravurschnittstelle



- ① Benennen Sie den Dateinamen
- ② Passen Sie die Gravurgröße an
- ③ Gravurgeschwindigkeit einstellen
- ④ Gravierleistung einstellen
- ⑤ Laserposition verschieben
- ⑥ Gravurvorschau
- ⑦ Gravurdatei hochladen
- ⑧ Luftunterstützungsschalter
- ⑨ Gravurmodus M3/M4 (M3 konstante Leistung M4 variable Leistung)



- ① Nachdem der Upload abgeschlossen ist, beginnt die Maschine mit der Gravuraufgabe
- ② Zeigt den Gravurfortschrittsbalken an und unten kann die Maschine zum Anhalten und Starten gesteuert werden
- ③ Warten Sie einfach, bis die Gravur abgeschlossen ist

7 Einführung in die PC-Software



Mac OS: [LightBurn](#)

Linux: [LightBurn](#)

Windows: [LightBurn](#) & [LaserGRBL](#)

LightBurn

<https://lightburnsoftware.com/pages/download-trial>



LaserGRBL

<https://lasergrbl.com/download/>

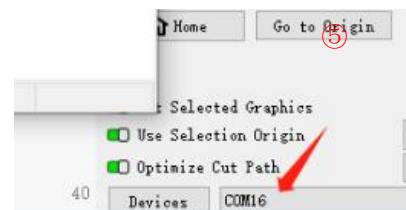
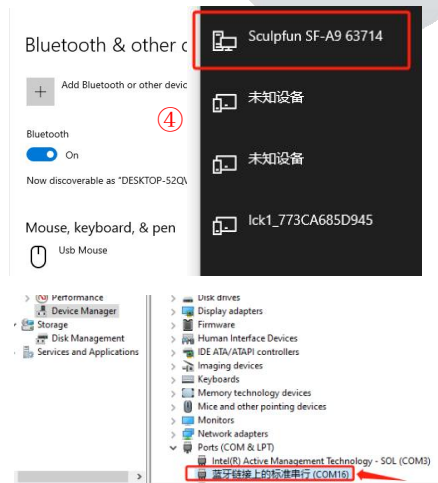
7.1 PC-Verbindungsmethode 1 USB-Verbindung

- ① Verbinden Sie das Gerät über ein Datenkabel mit dem Computer
- ② Öffnen Sie nach dem Einschalten LightBurn oder LaserGRBL, nachdem Sie den Maschinenport ausgewählt haben. Einsatzbereit



7.2 PC-Verbindungsmethode 2 Bluetooth-Verbindung

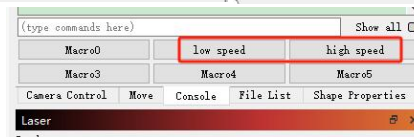
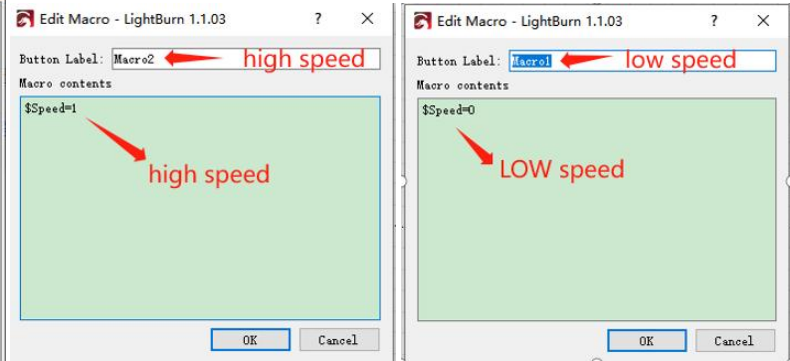
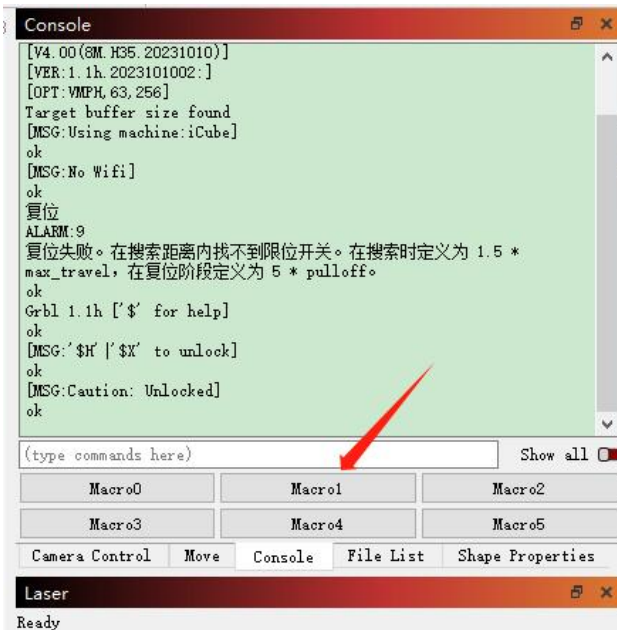
- ① Verbinden Sie das Gerät über ein Datenkabel mit dem Computer
- ② Nach dem Einschalten der Maschine öffnet der Computer die Konfigurationssoftware Sculpfun Laser Tool
- ③ Klicken Sie auf Bluetooth wechseln, um das Gerät in den Bluetooth-Modus zu schalten. Im Textfeld wird der Bluetooth-Name des Geräts angezeigt.
- ④ Ziehen Sie das USB-Datenkabel und die Bluetooth-Verbindung des Computers ab
- ⑤ Öffnen Sie LightBurn oder LaserGRBL und wählen Sie den entsprechenden Bluetooth-Port aus



7.3 Umschaltung des Computermodus (Präzisionsmodus-Hochgeschwindigkeitsmodus)

- ① Die Maschine ist standardmäßig im Präzisionsmodus, der durch Lightburn geändert werden kann
- ② Stellen Sie nach dem Öffnen von Lightburn die Makrotaste in der Konsole ein
- ③ `$$Speed=0(low speed)`、`$$Speed=1(high speed)`
- ④ Anschließend können Sie mit einem Klick über den eingestellten Makro-Button wechseln.

	X.max mm/min	Y.max mm/min	acceleration
<code>\$\$speed=0</code> (low)	20000	20000	1000
<code>\$\$speed=1</code> (high)	36000	36000	3000



low Eher zum Schneiden geeignet
high Besser zum Gravieren geeignet und schneller

8、Gebrauchsanweisung

Vielen Dank, dass Sie sich für die Lasergravurmaschine unseres Unternehmens entschieden haben. Bei diesem Gerät handelt es sich um ein High-Tech-Produkt, das Licht, Maschinen und Elektrizität integriert.

Damit Sie dieses Gerät besser verwenden und warten können, lesen Sie bitte die Bedienungsanleitung sorgfältig durch und befolgen Sie die Schritte in der Bedienungsanleitung.

Wichtige Aussage!

Alle Schäden, die durch unsachgemäßen Gebrauch oder Nichtbeachtung der Anweisungen in der Bedienungsanleitung entstehen, gehen zu Lasten des Einzelnen. Das Unternehmen hat das letzte Recht, dieses Handbuch auszulegen und alle Informationen, Daten, technischen Details usw. in diesem Handbuch zu ändern.

Sicherheitsvorkehrungen

- *Vor dem Betrieb des Geräts müssen Benutzer die Bedienungsanleitung sorgfältig lesen und sich strikt an die Betriebsverfahren halten.
- *Die Laserbearbeitung kann Risiken bergen. Anwender sollten sorgfältig abwägen, ob das zu bearbeitende Objekt für Laseroperationen geeignet ist.
- *Die Verarbeitung von Gegenständen und Emissionen sollte den örtlichen Gesetzen und Vorschriften entsprechen.
- *Dieses Gerät verwendet einen Laser der Klasse IV (starke Laserstrahlung). Diese Laserstrahlung kann folgende Erkrankungen verursachen:
 - ① Umliegende brennbare Materialien entzünden;
 - ② Während des Laserbearbeitungsprozesses können je nach Bearbeitungsobjekt andere Strahlungen sowie giftige und schädliche Gase entstehen.
 - ③ Direkte Einstrahlung von Laserstrahlung kann zu Verletzungen beim Menschen führen. Der Einsatzort muss mit Feuerlöschgeräten ausgestattet sein. Es ist verboten, brennbare und explosive Gegenstände rund um die Werkbank und die Geräte zu stapeln. Gleichzeitig muss für eine gute Belüftung gesorgt werden.
- *Die Umgebung, in der sich das Gerät befindet, sollte trocken, frei von Verschmutzung, Vibrationen, starker Elektrizität, starkem Magnetismus und anderen Störungen und Einflüssen sein. Temperatur der Arbeitsumgebung 10–35 °C, Luftfeuchtigkeit der Arbeitsumgebung 5–95 % (keine Kondensation)

Beachten!



1. Nach dem Einschalten des Lasers ist es strengstens verboten, ihn auf Menschen, Tiere und brennbare Gegenstände zu richten, um Hautverbrennungen und Brände zu vermeiden.

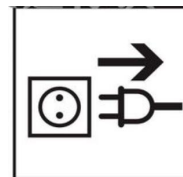


2. Die Helligkeit des Lasers ist schädlich für Ihre Augen. Bitte versuchen Sie, nicht direkt in den Laser zu schauen.



禁止伸入
No reaching in

3. Halten Sie Ihre Hände von der Maschine fern, wenn die Maschine arbeitet, um Verletzungen zu vermeiden.



4. Trennen Sie das Gerät vom Netz, wenn es nicht verwendet wird, um Fehlbedienungen durch Dritte zu vermeiden.

8.1 Empfohlene Materialparameter

Empfohlene Parameter für den Präzisionsmodus

SF-A9 40 W (Laserkopfleistung beträgt ca. 40 W)

40W	Material name	power(%)	speed(mm/m)	frequency
Schneiden	6.2mm Wellpapier	100%	≤2500	1
	2.2mm Kunstleder	100%	≤1000	1
	8mm MDF	100%	≤250	1
	30mm Paulownia	100%	≤200	2
	3mm Linde	100%	≤1500	1
	20mm Linde	100%	≤150	1
	12mm Acryl	100%	≤100	2

Hinweis: Die folgenden Parameter wurden in einer Laborumgebung getestet und dienen nur als Referenz.

Es gibt Unterschiede zwischen verschiedenen Materialien und die Parameter können schwanken.

SF-A9 20 W (Laserkopfleistung beträgt ca. 20 W)

20W	Material name	power(%)	speed(mm/m)	frequency
Schneiden	4mm MDF	100%	≤200	1
	8mm MDF	100%	≤200	3
	10mm Paulownia	100%	≤400	1
	25mm Paulownia	100%	≤200	3
	3mm Linde	100%	≤850	1
	10mm Linde	100%	≤200	1
	20mm Linde	100%	≤200	3

40W	Material name	power(%)	speed(mm/m)	frequency
Skulptur	Wellpapier	15%	6000	1
	Kunstleder	15%	8000	1
	MDF	20%	6000	1
	Bambus	25%	5000	1
	Linde	30%	6000	1
	lackiertes Metall	30%	5000	1

20W	Material name	power(%)	speed(mm/m)	frequency
Skulptur	Wellpapier	10%	3000	1
	Kunstleder	10%	5000	1
	MDF	10%	2000	1
	Bambus	15%	2500	1
	Linde	20%	3000	1
	lackiertes Metall	20%	3000	1

Parameterempfehlung für den Hochgeschwindigkeitsmodus

SF-A9 40 W (Laserkopfleistung beträgt ca. 40 W)

40W	Material name	power(%)	speed(mm/m)	frequency
Skulptur	Wellpapier	55%	36000	1
	Kunstleder	50%	36000	1
	MDF	75%	36000	1
	Bambus	100%	36000	1
	Linde	100%	36000	1
	lacquered metal	60%	36000	1

SF-A9 20 W (Laserkopfleistung beträgt ca. 20 W)

20W	Material name	power(%)	speed(mm/m)	frequency
Skulptur	Wellpapier	100%	36000	1
	Kunstleder	70%	36000	1
	MDF	100%	30000	1
	Bambus	100%	15000	1
	Linde	100%	10000	1
	lacquered metal	100%	36000	1

Hinweis: Die folgenden Parameter wurden in einer Laborumgebung getestet und dienen nur als Referenz. Es gibt Unterschiede zwischen verschiedenen Materialien und die Parameter können schwanken.

8.2 Häufiges Problem

1、 Warum dreht sich der Laserventilator nicht?

Wenn der Laser nicht mehr funktioniert, stoppt der Lüfter automatisch nach 2 Minuten Abkühlung, um Geräusche zu vermeiden. Nach Arbeitsbeginn dreht es sich wieder

2、 So positionieren Sie SF-A9 manuell

Setzen Sie die Fixfokussäule auf der rechten Seite des Lasers ab und lösen Sie die Rändelschraube.

- ①Schieben Sie den Laser nach oben und unten, sodass die Fixfokussäule an der Oberfläche des zu bearbeitenden Objekts anliegt.
- ②Ziehen Sie die Rändelschraube fest und ziehen Sie die Festfokussäule zurück.
- ③Wenn Sie dicke Objekte schneiden, können Sie nach Abschluss der Fokussierung den hinteren Z-Achsen-Knopf verwenden, um die linke Skala zu beobachten und ihn um 1–3 mm abzusenken, um den Schneideffekt zu verbessern.

3、 Keine Reaktion beim Herstellen einer Verbindung mit der mobilen APP

Es gibt zwei Möglichkeiten, die APP zu verbinden: AP-WLAN-Modus und WLAN-Modus

- ①Im AP-WLAN-Modus startet das Gerät automatisch WLAN, der Name ist Sculpfun SF-A9 XXXXX, das Standardkennwort ist 12345678, öffnen Sie die APP nach dem Herstellen der Verbindung, die Standard-IP-Adresse ist 192.168.4.1.
- ② Im WLAN-Modus müssen Sie Computertools verwenden, um eine WLAN-Verbindung herzustellen. Bitte beachten Sie, dass nur eine Verbindung zu 2,4-GHz-WLAN möglich ist und keine speziellen Symbole unterstützt werden. Sollte eine normale Nutzung nicht möglich sein, können Sie sich an unseren Kundenservice wenden und einen Screenshot der Mobiltelefonkonfiguration zurücksenden, um schnellen technischen Support zu erhalten.

4、 Wie und wie oft soll die Maschine gewartet werden?

X-Linearführungen müssen regelmäßig mit Schmieröl oder Fett bestrichen werden, um Rost vorzubeugen.

Wartungszyklus: Häufige Benutzer, definiert als Benutzer, die die Maschine mehr als 8 Stunden am Tag verwenden. Eine Wartung ist mindestens alle 15 Tage erforderlich

Als leichte Benutzer gelten Personen, die das Gerät nicht mehr als 2 Stunden am Tag nutzen. Erfordert mindestens alle 2 Monate eine Wartung

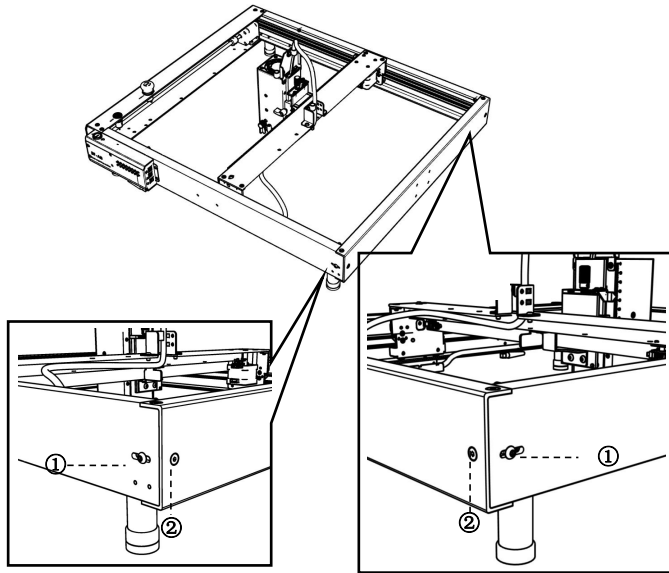
Treten während des Wartungszyklus Schmutz und Verunreinigungen auf, muss die Oberfläche der Führungsschiene sofort gereinigt werden und Fett aufgetragen werden, nachdem sichergestellt wurde, dass sie sauber ist.

5、 Der geschnittene Kreis ist deformiert, rund ist nicht rund, quadratisch ist nicht quadratisch

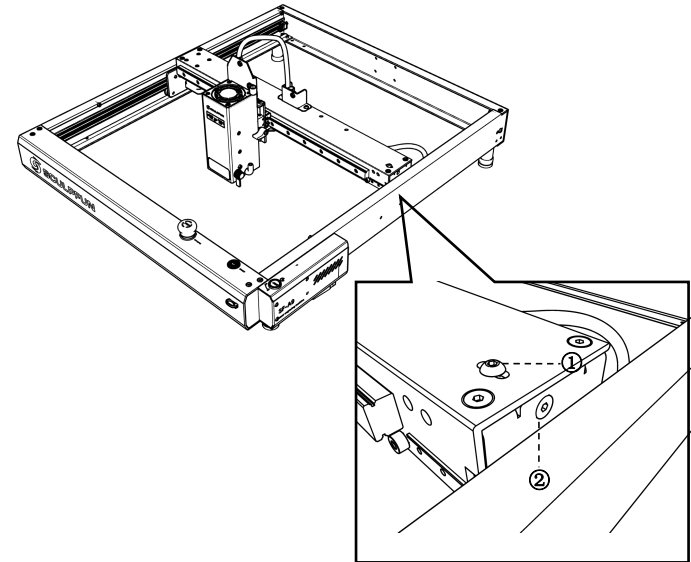
Grund: Möglicherweise ist der Gürtel zu eng

Schritt: Bitte überprüfen Sie den Riemen. Halten Sie mit den Fingern gleichzeitig den oberen und unteren Teil des Gürtels fest, um die Spannung zu spüren. Wenn es zu locker oder zu eng ist. Beziehen Sie sich auf die nächste Frage, um die Dichtheit anzupassen.

6、 So stellen Sie die Riemenspannung ein

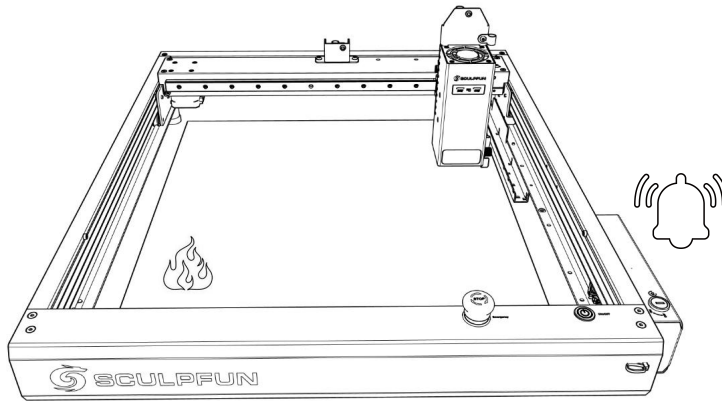


- Stellen Sie die Förderbänder am linken und rechten Kotflügel ein
- (1) Zuerst Schraube 1 lösen, dann Schraube 2 einstellen
 - (2) Ziehen Sie Schraube 2 beim Einstellen im Uhrzeigersinn fest; lösen Sie es gegen den Uhrzeigersinn.
 - (3) Die Spannung der Förderbänder an der linken und rechten Leitwand muss gleichmäßig sein, sonst wird der Gravureffekt beeinträchtigt.
 - (4) Nach dem Einstellen der Dichtheit Schraube 1 festziehen.



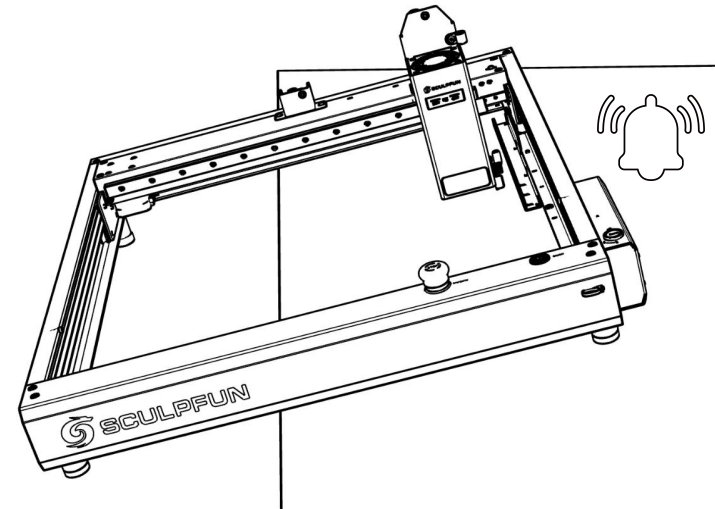
- Einstellen des Förderbandes auf der Mittelplatte
- (1) Zuerst Schraube 1 lösen, dann Schraube 2 einstellen
 - (2) Ziehen Sie Schraube 2 beim Einstellen im Uhrzeigersinn fest; lösen Sie es gegen den Uhrzeigersinn.
 - (3) Nach dem Einstellen der Dichtheit Schraube 1 festziehen

7、Anweisungen zum Flammenmelder



- (1) Unter dem Laser befindet sich ein eingebauter Flammensensor + Temperatursensor.
- (2) Nachdem die Flamme erkannt wurde, berechnet die Maschine automatisch den sichersten Abstand. Nachdem sich der Laserkopf in eine sichere Position bewegt hat, stoppt er den Betrieb und gibt einen Alarm aus, um Gefahren zu vermeiden.
- (3) Der Alarmton stoppt nicht automatisch und die Maschine muss manuell neu gestartet werden.

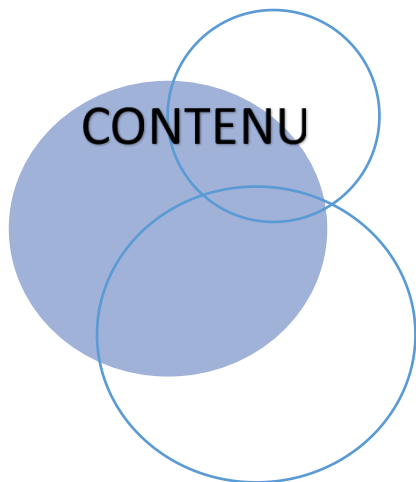
8、Beschreibung des Neigungsalarms



- (1) Die Maschine verfügt über einen eingebauten Neigungssensor
- (2) Wenn der Tisch, auf dem die Maschine steht, kippt und der Winkel 15° überschreitet, stoppt sie den Betrieb und gibt einen Alarm aus, um Gefahren zu vermeiden.
- (3) Der Alarmton stoppt nicht automatisch und die Maschine muss manuell neu gestartet werden.

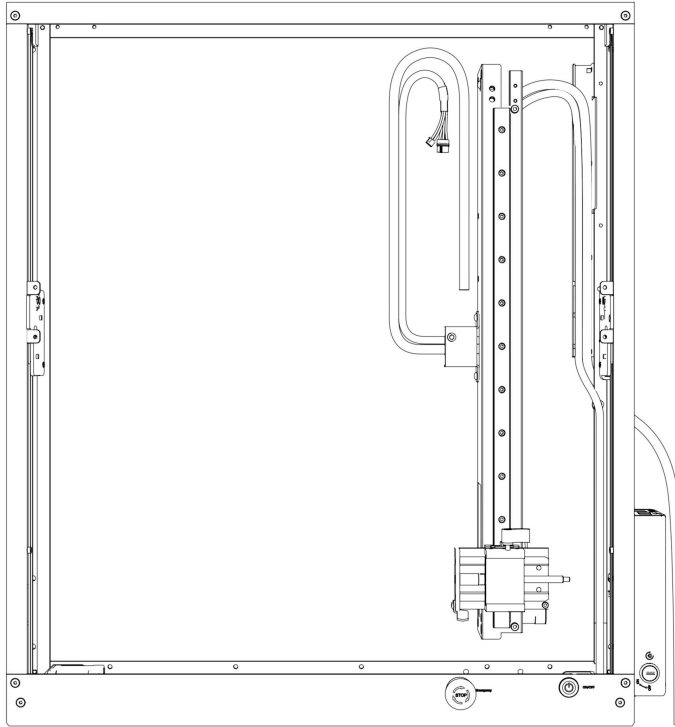
9、Wenn Sie die oben genannten Schritte nicht selbst lösen können oder Sie andere Fragen haben.

Sie können das Fehlervideo, die Maschine und andere Informationen an die offizielle Kundendienst-E-Mail-Adresse von SculpFun (support@sculpfun.com) senden. Das Kundendienstpersonal kümmert sich für Sie darum

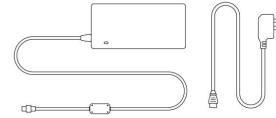


1. Liste des produits -----	1
2. Découvrez le SF-A9 -----	3
3. Assemblage du SF-A9 -----	5
4. se concentrer -----	7
5. Téléchargement et connexion de l'application -----	8
6. Introduction à l'interface APP -----	11
7. Connexion PC -----	15
8. Mode d'emploi -----	17

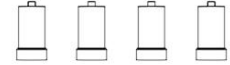
1. Liste des produits



1 x Hôte



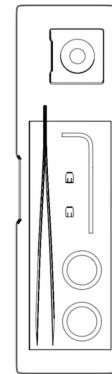
1 x Adaptateur secteur



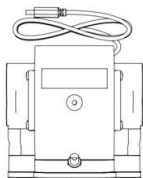
4 x Semelle



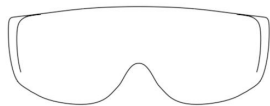
1 x 40W Tête laser



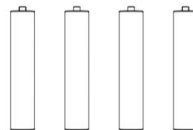
1 x Kit de réparation
d'objectif



1 x Pompe à air



1 x Des lunettes de protection



4 x Agrandir la base



1 x Antenne



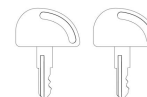
1 x Câble de données



1 x Fil moteur
(pour axe rotatif)



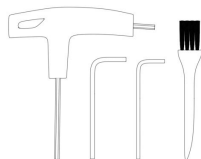
5 x Cravates



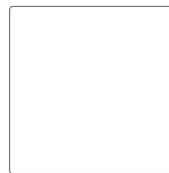
2 x Clé



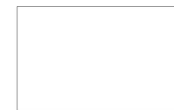
4 x Vis



1 x Boîte à outils

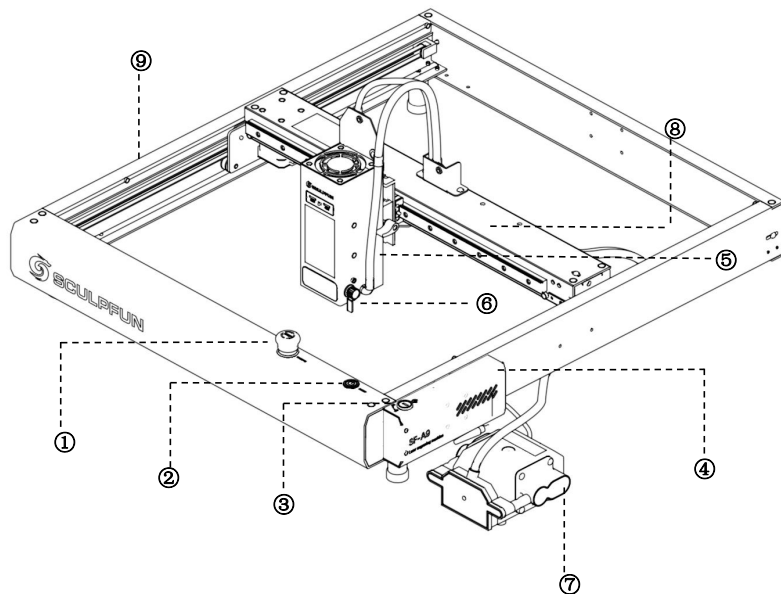


1 x Plaque d'aluminium



2 x Plaque de tilleul

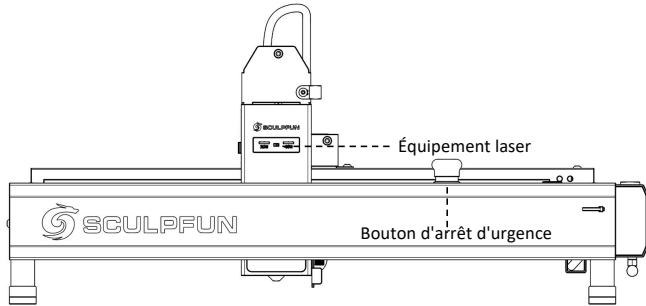
2. Découvrez le SF-A9



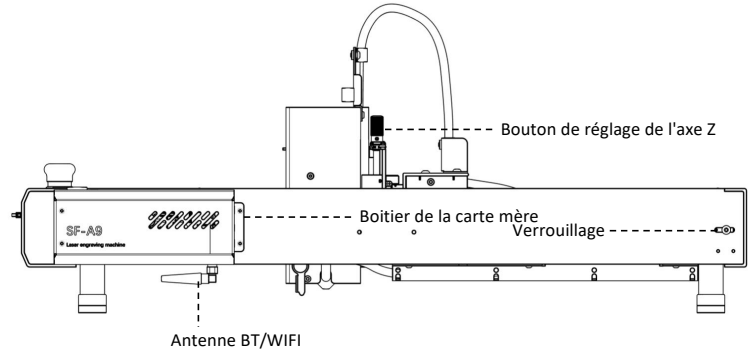
- ① Bouton d'arrêt d'urgence
- ② Bouton de commutation
- ③ Interrupteur à clé
- ④ Boîtier de la carte mère
- ⑤ Laser
- ⑥ Colonne de mise au point fixe
- ⑦ Pompe à air
- ⑧ Axe X
- ⑨ Axe Y

2.1 Schéma structurel

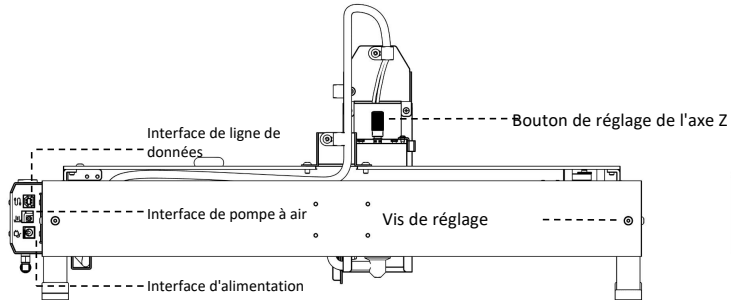
① Vue avant



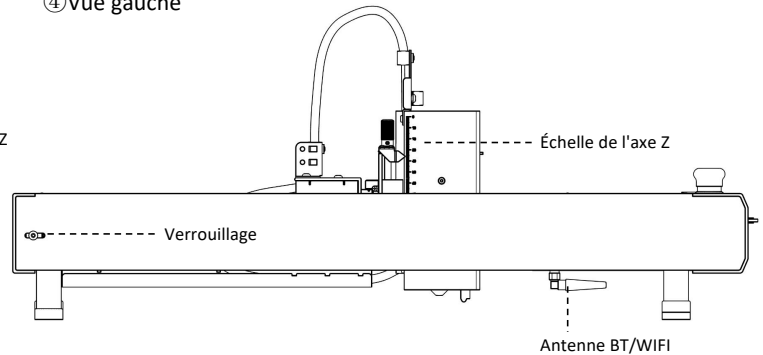
② Élévation droite



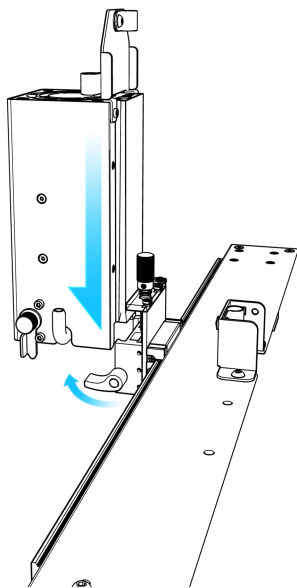
③ Vue arrière



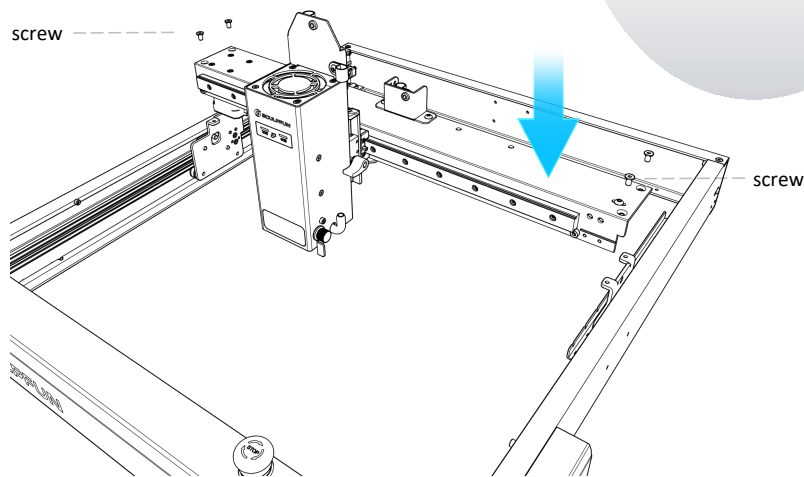
④ Vue gauche



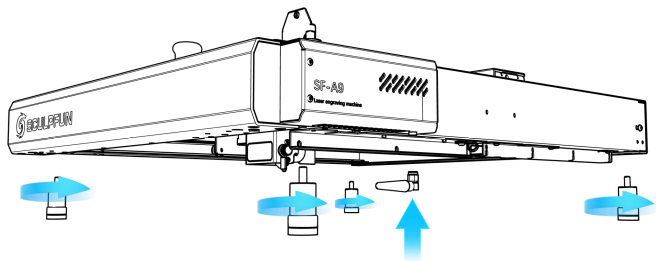
3. Assemblage du SF-A9



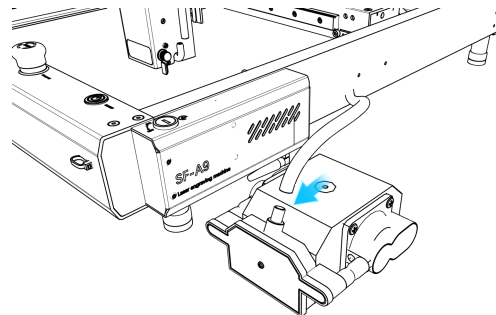
① Après avoir ouvert la boîte d'emballage, installez d'abord la tête laser sur l'axe X et serrez les vis à oreilles.



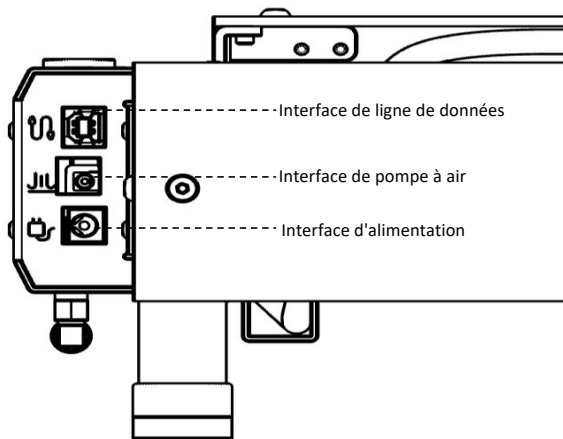
② Après avoir retiré l'axe X avec la tête laser et le cadre hôte installés, placez l'axe X sur le cadre hôte et serrez les quatre vis pour fixer l'axe X.



③ Installez quatre pieds et une antenne BT/WiFi



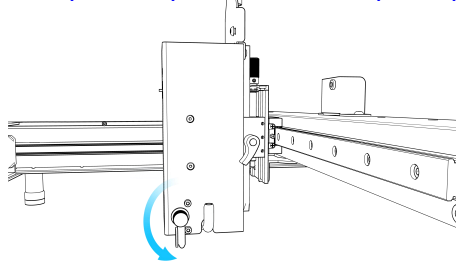
④ Connectez le tuyau d'air de la machine à la pompe à air



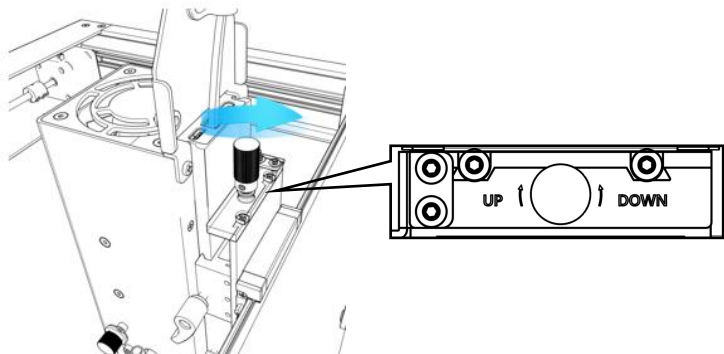
⑤

1. Connectez l'interface de données à l'ordinateur
2. Branchez le cordon d'alimentation de la pompe à air dans l'interface de la pompe à air.
3. Branchez l'alimentation de la machine
4. Vous pouvez allumer la machine et l'utiliser

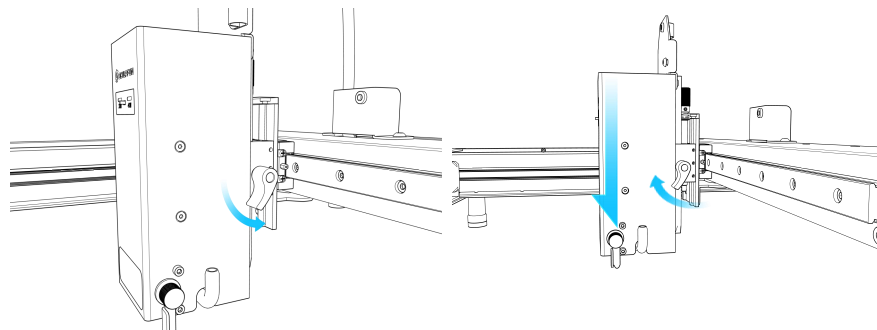
4. Mise au point (mise au point rapide et mise au point précise)



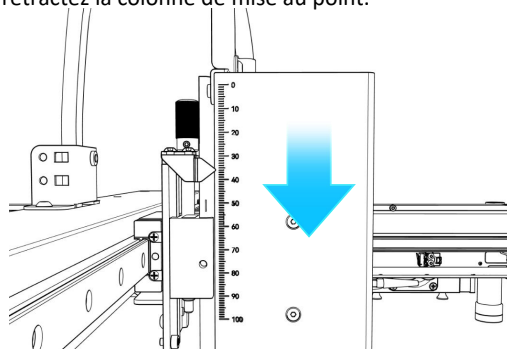
- ① Posez la colonne de mise au point sur le côté droit de la tête laser



- ③ **Mise au point précise:** Lorsque vous coupez des objets épais, une fois la mise au point rapide terminée, faites pivoter la mise au point précise vers le bas de 1 à 3 mm pour améliorer l'effet de coupe.



- ② **Mise au point rapide:** Tournez la vis de droite pour déplacer la colonne de mise au point vers la surface de l'objet à graver, serrez la vis et rétractez la colonne de mise au point.



- ④ Vous pouvez contrôler avec précision la hauteur en regardant l'échelle sur la gauche. La sculpture d'objets de différentes hauteurs nécessite une recentration, pour garantir l'effet de travail.

5. Téléchargement du logiciel APP

- ① L'ordinateur entre sur le site officiel pour télécharger **Sculpfun Laser Tool (MAC & WIN)**
- ② Recherchez sculpfun sur Google Store ou Apple Store sur votre téléphone mobile, ou scannez le code QR ci-dessous.



Android



iOS



PC Tool
(MAC or WIN)

Note:

1. Android doit utiliser un navigateur pour scanner le code QR à télécharger.
2. Après une installation réussie, vous devez accorder les autorisations correspondantes
3. S'il n'y a pas de Google Store, vous pouvez scanner PC TOOL et accéder au site officiel pour télécharger la version d'installation de l'APK.

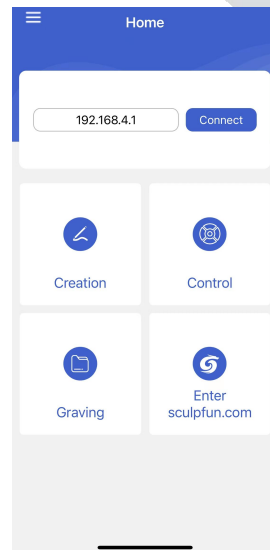
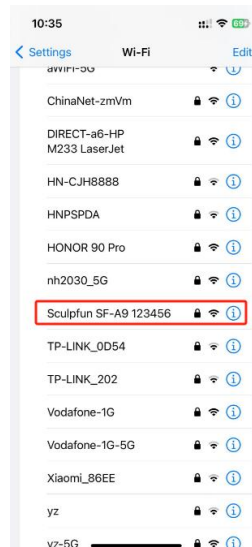


Remarque : L'interface de mise à niveau du logiciel peut changer. Scannez le code QR ou suivez la chaîne YOUTUBE officielle pour obtenir les derniers didacticiels vidéo d'utilisation détaillés. <https://www.youtube.com/@SCULPFUNReal>



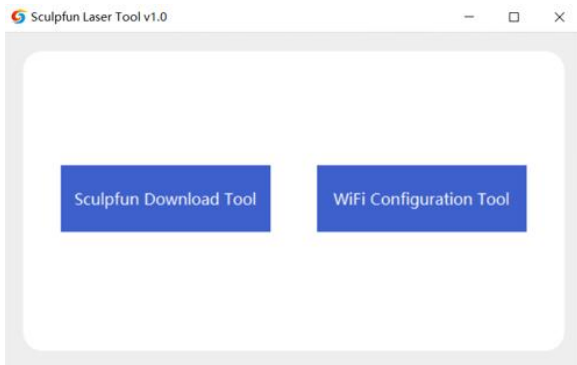
5.1 Méthode de connexion à l'application mobile 1 (AP WIFI)

- ① Le mode usine par défaut est le mode AP. Après avoir allumé la machine, la machine transmet automatiquement le WIFI
- ② Passer le téléphone portable connecté au WIFI de la machine, le nom du WIFI est **Sculpfun SF-A9 XXXXX**, le mot de passe par défaut est : **12345678**
- ③ **L'adresse IP par défaut est : 192.168.4.1**. Entrez l'adresse IP par défaut dans l'application SculpFun pour vous connecter à l'application.

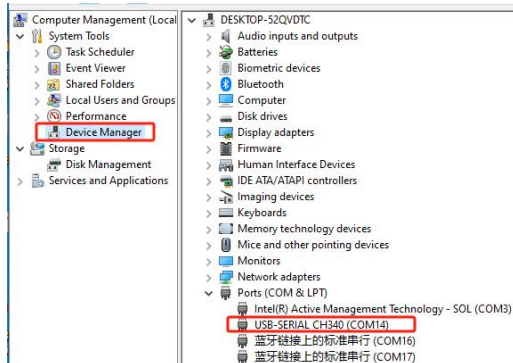


5.2 Méthode de connexion à l'application mobile 2 (Mode WIFI : connectez-vous au Wi-Fi domestique)

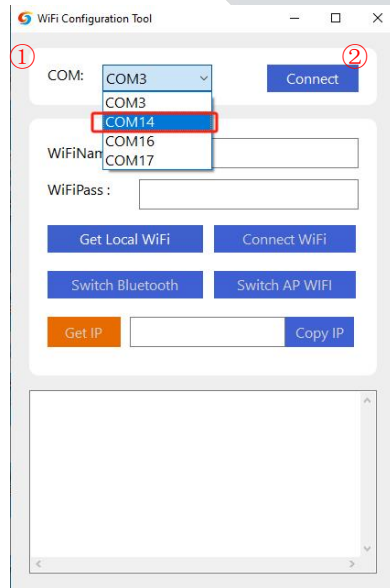
- ① Connectez la machine avec un ordinateur avec câble de données
- ② Ouvrez le logiciel de configuration Sculpfun Laser Tool téléchargé sur votre ordinateur
- ③ Choisissez l'outil de configuration WiFi



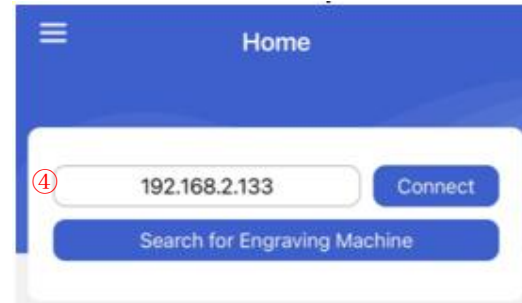
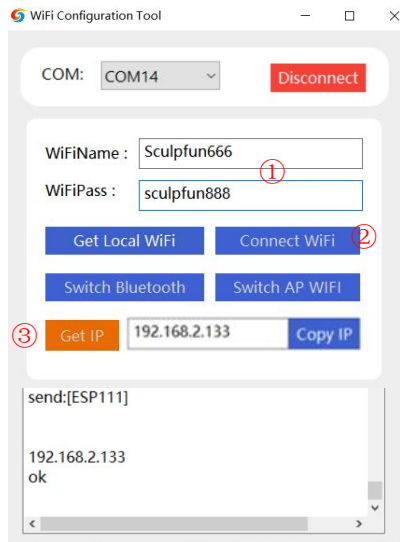
- ① Gestion informatique ouverte
- ② Vérifier le COM correspondant au CH340



- ① Sélectionnez le COM de la machine
- ② Cliquez sur Connecter pour connecter la machine



- ① Entrez le nom et le mot de passe WiFi à la maison
- ② Cliquez sur Connecter le WiFi
- ③ Cliquez sur Obtenir IP pour obtenir l'adresse IP de la machine actuelle. À ce stade, vous pouvez débrancher le câble de données et le transférer vers l'application mobile pour le faire fonctionner.
- ④ Entrez l'adresse IP obtenue dans l'application mobile et cliquez sur Connecter.

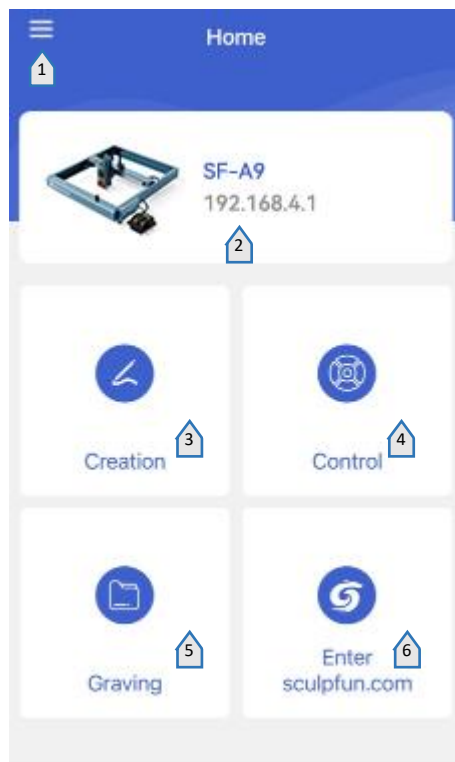
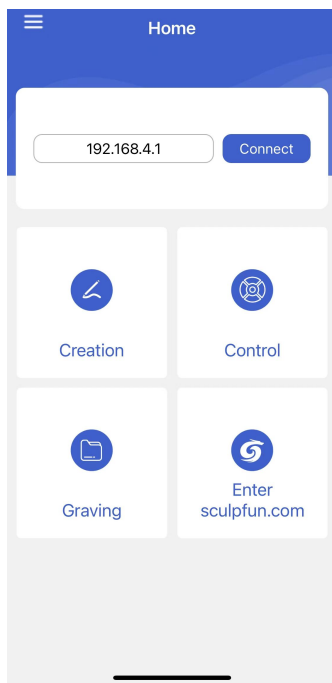


Avis:

1. La machine ne prend en charge que le WiFi 2,4 GHz, veuillez vous assurer que le WiFi à la maison est de 2,4 GHz.
2. Pour obtenir l'adresse IP de la machine, veuillez vous référer à l'affichage du logiciel. L'image ci-dessus est uniquement à titre de référence.
3. Connectez-vous au WiFi à la maison. Le mot de passe ne prend pas en charge les symboles spéciaux. Il ne prend en charge que l'anglais ou les combinaisons numériques. Si c'est trop compliqué, vous devez changer le mot de passe WiFi.
4. Le téléphone mobile doit être sur le même réseau WiFi que la machine.

6、Présentation de l'interface APP

- ① Remplissez l'adresse WiFi de la machine,
- ② Cliquez sur Connecter pour connecter la machine
- ③ Après la connexion, l'adresse IP et le nom apparaissent.



① Installation

Contrat d'utilisation/Conditions de confidentialité/Informations de version/Paramètres de langue

② Informations sur les machines

Nom de la machine/adresse IP

③ Création

Appareil photo/Bibliothèque de matériaux intégrée/Bibliothèque d'images/Pinceau/Code QR/Modifier le texte

④ Contrôle

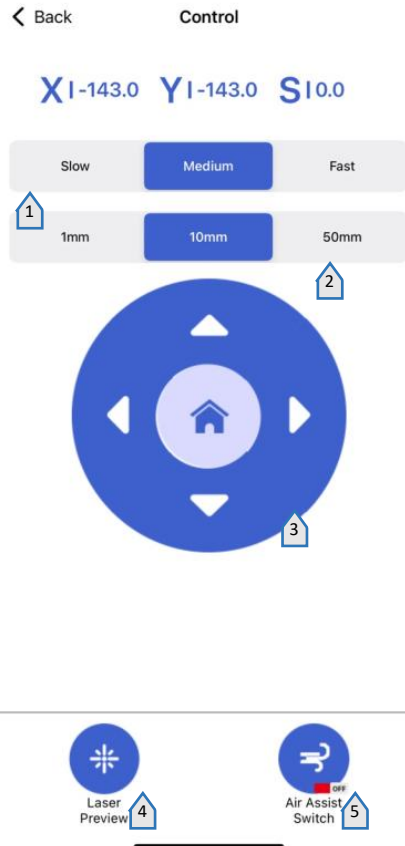
Contrôler le mouvement de la machine à graver

⑤ Creusement

Afficher les fichiers téléchargés sur la machine

⑥ Visitez le site officiel

6.1 Introduction à l'interface de contrôle



① Régler la vitesse de déplacement du laser

② Réglez la distance parcourue par le laser en un seul clic

③ Panneau de contrôle
Le milieu est réinitialisé

④ aperçu laser

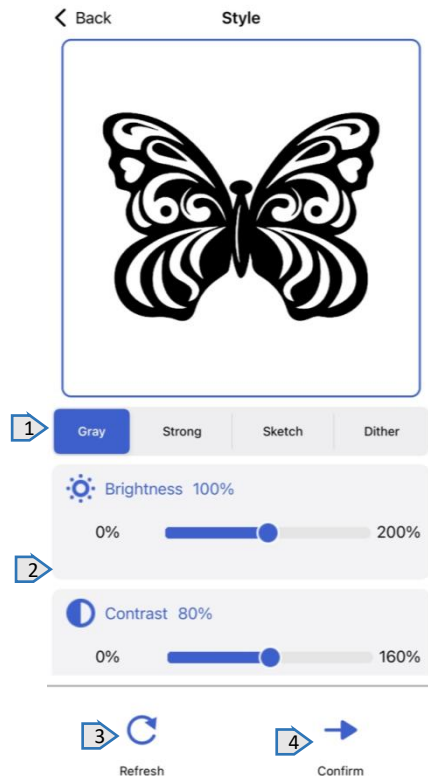
⑤ Assistance aérienne

6.2 Introduction à l'interface de création d'applications mobiles



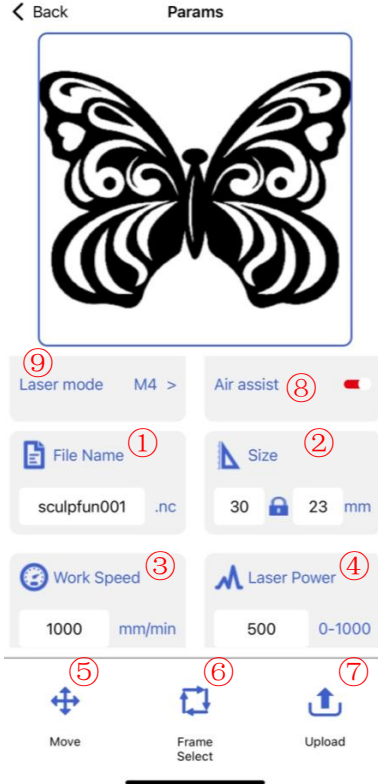
- ① Gomme
- ② Brosse
- ③ Zone de dessin
- ④ Insérer une forme/un code QR
- ⑤ Zone de commande/saisie de texte
- ⑥ Importation de matériel

6.3 Sélection du mode de gravure



- ① Sélection de mode
- ② Paramètres de mode correspondants
- ③ Réinitialiser les paramètres
- ④ Après avoir sélectionné le mode et les paramètres, sélectionnez Suivant pour préparer la gravure.

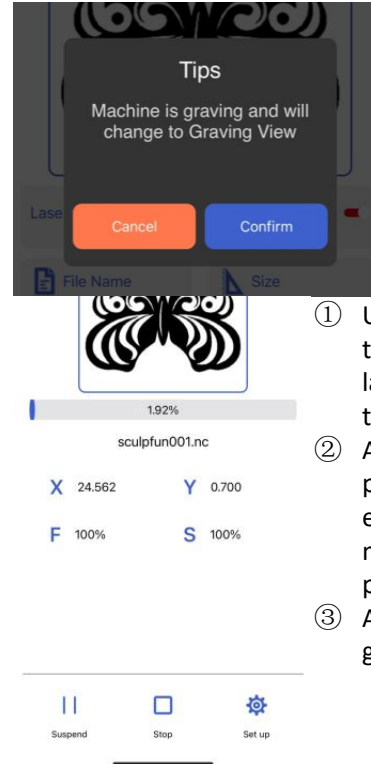
6.4 Paramètres de gravure



- ① Nommez le nom du fichier
- ② Ajuster la taille de la gravure
- ③ Régler la vitesse de gravure
- ④ Définir la puissance de gravure
- ⑤ Déplacer la position du laser
- ⑥ Aperçu de la gravure
- ⑦ Télécharger le fichier de gravure
- ⑧ interrupteur d'assistance pneumatique
- ⑨ Mode de gravure M3/M4

(M3 puissance constante
M4 puissance variable)

6.5 Interface de gravure



- ① Une fois le téléchargement terminé, la machine lancera la tâche de gravure
- ② Affiche la barre de progression de la gravure et le bas peut contrôler la machine pour mettre en pause et démarrer
- ③ Attendez juste que la gravure soit terminée

7 Présentation du logiciel PC



Mac OS: [LightBurn](#)

Linux: [LightBurn](#)

Windows: [LightBurn](#) & [LaserGRBL](#)

LightBurn

<https://lightburnsoftware.com/pages/download-trial>



LaserGRBL

<https://lasergrbl.com/download/>

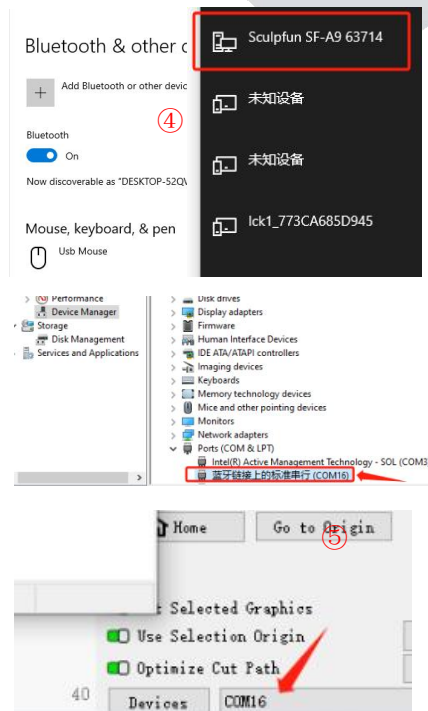
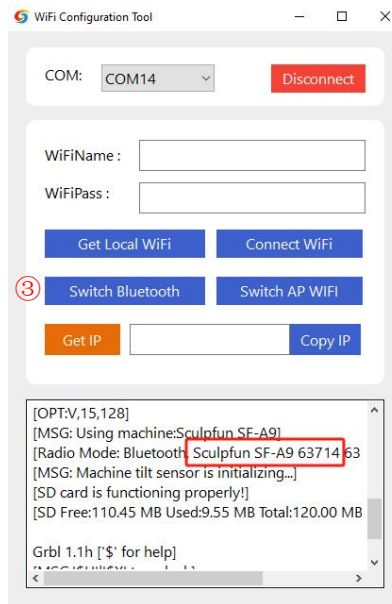
7.1 Méthode de connexion PC 1 Connexion USB

- ① Connectez la machine à l'ordinateur à l'aide d'un câble de données
- ② Après la mise sous tension, ouvrez [LightBurn](#) ou [LaserGRBL](#) après avoir sélectionné le port de la machine. Prêt à l'emploi



7.2 Méthode de connexion PC 2 Connexion Bluetooth

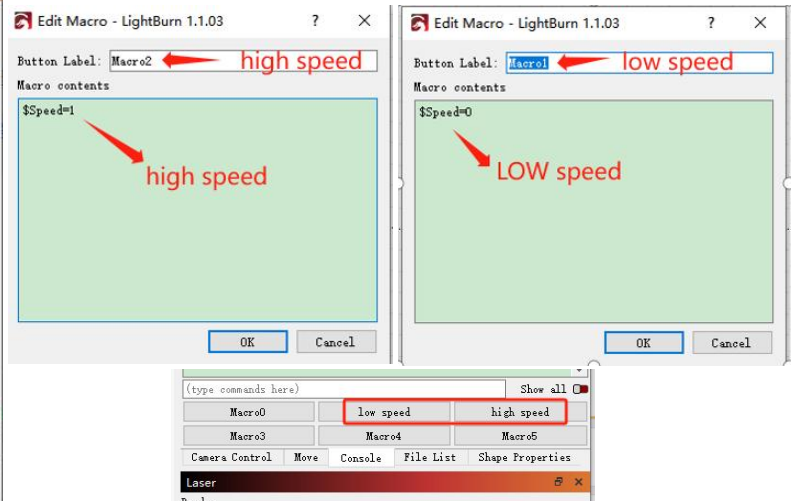
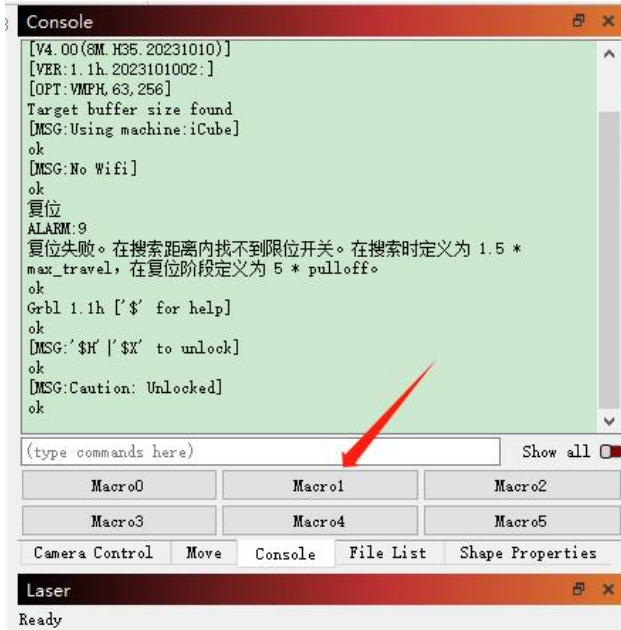
- ① Connectez la machine à l'ordinateur à l'aide d'un câble de données
- ② Une fois la machine allumée, l'ordinateur ouvre le logiciel de configuration Sculpfun Laser Tool
- ③ Cliquez sur Basculer vers Bluetooth pour faire passer la machine en mode Bluetooth. La zone de texte affichera le nom Bluetooth de la machine.
- ④ Débranchez le câble de données USB, la machine de connexion Bluetooth de l'ordinateur
- ⑤ Ouvrez LightBurn ou LaserGRBL et sélectionnez le port Bluetooth correspondant



7.3 Changement de mode ordinateur (mode précision-mode haute vitesse)

- ① La machine passe par défaut en mode précision, qui peut être modifié via lightburn
- ② Après avoir ouvert Lightburn, réglez le bouton macro dans la console
- ③ \$Speed=0 (basse vitesse)、\$Speed=1 (haute vitesse)
- ④ Ensuite, vous pouvez basculer en un seul clic via le bouton de définition de macro.

	X.max mm/min	Y.max mm/min	acceleration
\$speed=0 (low)	20000	20000	1000
\$speed=1 (high)	36000	36000	3000



low Plus adapté à la coupe
high Plus adapté à la gravure et plus rapide

8、 Mode d'emploi

Merci d'avoir acheté la machine de gravure laser de notre entreprise. Cet équipement est un produit de haute technologie qui intègre la lumière, les machines et l'électricité.

Afin de mieux utiliser et entretenir cet équipement, veuillez lire attentivement le manuel d'utilisation et suivre les étapes du manuel d'utilisation.

Déclaration importante !

Toutes les pertes causées par une mauvaise utilisation ou le non-respect des instructions du manuel d'utilisation seront à la charge de l'individu. L'entreprise a le droit final d'interpréter ce manuel et a le droit de modifier toutes les informations, données, détails techniques, etc. contenus dans ce manuel.

Précautions de sécurité

*Avant d'utiliser l'équipement, les utilisateurs doivent lire attentivement le manuel d'utilisation et respecter strictement les procédures d'utilisation.

*Le traitement au laser peut comporter des risques. Les utilisateurs doivent soigneusement déterminer si l'objet en cours de traitement est adapté aux opérations laser.

*Le traitement des objets et des émissions doit être conforme aux lois et réglementations locales.

*Cet équipement utilise un laser de classe IV (fort rayonnement laser). Ce rayonnement laser peut provoquer les conditions suivantes :

① Enflammer les matériaux inflammables environnants ;

② Pendant le processus de traitement au laser, d'autres rayonnements et gaz toxiques et nocifs peuvent être produits en fonction des objets de traitement ;

③ L'irradiation directe du rayonnement laser peut provoquer des blessures humaines. Le lieu d'utilisation doit être équipé de matériel de lutte contre l'incendie. Il est interdit d'empiler des objets inflammables et explosifs autour de l'établi et de l'équipement. Dans le même temps, une bonne ventilation doit être maintenue.

*L'environnement dans lequel se trouve l'équipement doit être sec, exempt de pollution, de vibrations, d'électricité forte, de magnétisme puissant et de toute autre interférence et influence. Température de l'environnement de travail 10-35°C, humidité de l'environnement de travail 5-95 % (sans condensation)

Avis!



1. Une fois le laser allumé, il est strictement interdit de le diriger vers des humains, des animaux et des objets inflammables pour éviter les brûlures cutanées et les incendies.

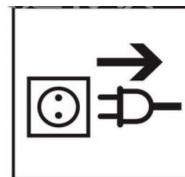


2. La luminosité du laser est nocive pour vos yeux. Veuillez essayer de ne pas regarder directement le laser.



禁止伸入
No reaching in

3. Gardez vos mains éloignées de la machine lorsque celle-ci fonctionne pour éviter les blessures.



4. Débranchez la machine lorsqu'elle n'est pas utilisée pour éviter toute mauvaise utilisation par des tiers.

8.1 Paramètres de matériau recommandés

Paramètres recommandés pour le mode précision

SF-A9 40 W (la puissance de la tête laser est d'environ 40 W)

40W	Material name	power(%)	speed(mm/m)	frequency
Coupe	6.2mm Papier ondulé	100%	≤2500	1
	2.2mm Cuir artificiel	100%	≤1000	1
	8mm MDF	100%	≤250	1
	30mm Paulownia	100%	≤200	2
	3mm Tilleul	100%	≤1500	1
	20mm Tilleul	100%	≤150	1
	12mm Acrylique	100%	≤100	2

Remarque : Les paramètres suivants sont testés dans un environnement de laboratoire et sont uniquement à titre de référence. Il existe des différences entre les différents matériaux et les paramètres fluctuent.

SF-A9 20 W (la puissance de la tête laser est d'environ 20 W)

20W	Material name	power(%)	speed(mm/m)	frequency
Coupe	4mm MDF	100%	≤200	1
	8mm MDF	100%	≤200	3
	10mm Paulownia	100%	≤400	1
	25mm Paulownia	100%	≤200	3
	3mm Tilleul	100%	≤850	1
	10mm Tilleul	100%	≤200	1
	20mm Tilleul	100%	≤200	3

40W	Material name	power(%)	speed(mm/m)	frequency
Sculpture	Papier ondulé	15%	6000	1
	Cuir artificiel	15%	8000	1
	MDF	20%	6000	1
	Bambou	25%	5000	1
	Tilleul	30%	6000	1
	métal laqué	30%	5000	1

20W	Material name	power(%)	speed(mm/m)	frequency
Sculpture	Papier ondulé	10%	3000	1
	Cuir artificiel	10%	5000	1
	MDF	10%	2000	1
	Bambou	15%	2500	1
	Tilleul	20%	3000	1
	métal laqué	20%	3000	1

Recommandation des paramètres du mode haute vitesse

SF-A9 40 W (la puissance de la tête laser est d'environ 40 W)

40W	Material name	power(%)	speed(mm/m)	frequency
Sculpture	Papier ondulé	55%	36000	1
	Cuir artificiel	50%	36000	1
	MDF	75%	36000	1
	Bambou	100%	36000	1
	Tilleul	100%	36000	1
	métal laqué	60%	36000	1

SF-A9 20 W (la puissance de la tête laser est d'environ 20 W)

20W	Material name	power(%)	speed(mm/m)	frequency
Sculpture	Papier ondulé	100%	36000	1
	Cuir artificiel	70%	36000	1
	MDF	100%	30000	1
	Bambou	100%	15000	1
	Tilleul	100%	10000	1
	métal laqué	100%	36000	1

Remarque : Les paramètres suivants sont testés dans un environnement de laboratoire et sont uniquement à titre de référence.

Il existe des différences entre les différents matériaux et les paramètres fluctuent.

8.2 Problème commun

1、 Pourquoi le ventilateur laser ne tourne-t-il pas ?

Lorsque le laser cesse de fonctionner, le ventilateur s'arrête automatiquement après 2 minutes de refroidissement pour éviter le bruit. Après avoir commencé le travail, il tournera à nouveau

2、 Comment positionner manuellement le SF-A9

- ① Posez la colonne de mise au point fixe sur le côté droit du laser et desserrez la vis à oreilles.
- ② Faites glisser le laser de haut en bas pour que la colonne de focalisation fixe soit en appui contre la surface de l'objet à traiter.
- ③ Serrez la vis moletée et rétractez la colonne de mise au point fixe.
- ④ Lorsque vous coupez des objets épais, une fois la mise au point terminée, vous pouvez utiliser le bouton arrière de l'axe Z pour observer l'échelle gauche et l'abaisser de 1 à 3 mm pour améliorer l'effet de coupe.

3、 Aucune réponse lors de la connexion à l'application mobile

- ① Il existe deux façons de connecter l'application, le mode wifi AP et le mode wifi
- ② En mode wifi AP, la machine lancera automatiquement le wifi, le nom est Sculpfun SF-A9 XXXXX, le mot de passe par défaut est 12345678, ouvrez l'application après la connexion, l'adresse IP par défaut est 192.168.4.1.
- ③ En mode wifi, vous devez utiliser des outils informatiques pour vous connecter au wifi. Veuillez noter qu'il ne peut se connecter qu'au wifi 2,4 GHz et ne prend pas en charge les symboles spéciaux. S'il ne peut pas être utilisé normalement, vous pouvez contacter notre service client et renvoyer une capture d'écran de la configuration du téléphone mobile pour recevoir une assistance technique rapide.

4、 Comment entretenir la machine et à quelle fréquence ?

Les guides linéaires X doivent être régulièrement enduits d'huile lubrifiante ou de graisse pour éviter la rouille.

Cycle de maintenance : Utilisateurs fréquents, définis comme utilisant la machine pendant plus de 8 heures par jour. L'entretien est requis au moins tous les 15 jours.

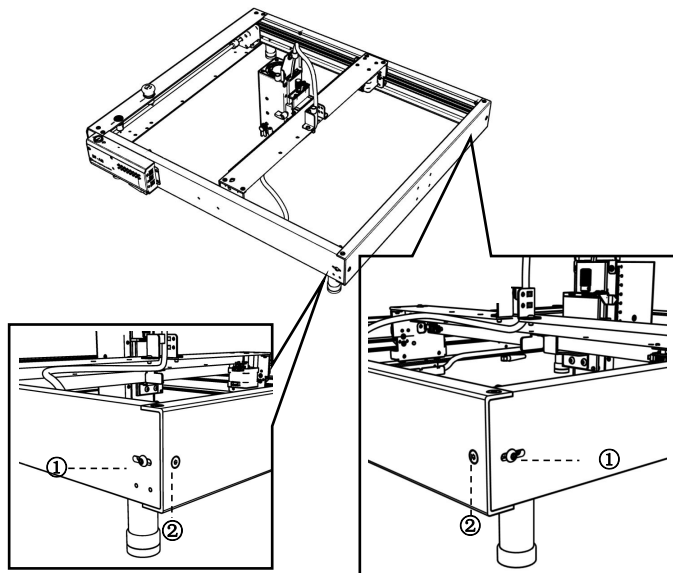
Les utilisateurs légers sont définis comme n'utilisant la machine que 2 heures par jour au maximum. Nécessite un entretien au moins tous les 2 mois. Pendant le cycle de maintenance, si de la saleté et des impuretés apparaissent, la surface du rail de guidage doit être immédiatement nettoyée et de la graisse est appliquée après s'être assurée de sa propreté.

5、 Le cercle sculpté est déformé, le rond n'est pas rond, le carré n'est pas carré

Raison : Peut-être que la ceinture est trop serrée

Étape : veuillez vérifier la ceinture. Utilisez vos doigts pour tenir les parties supérieure et inférieure de la ceinture en même temps pour ressentir le serrage. S'il est trop lâche ou trop serré. Référez-vous à la question suivante pour régler le serrage.

6、 Comment ajuster le serrage de la ceinture



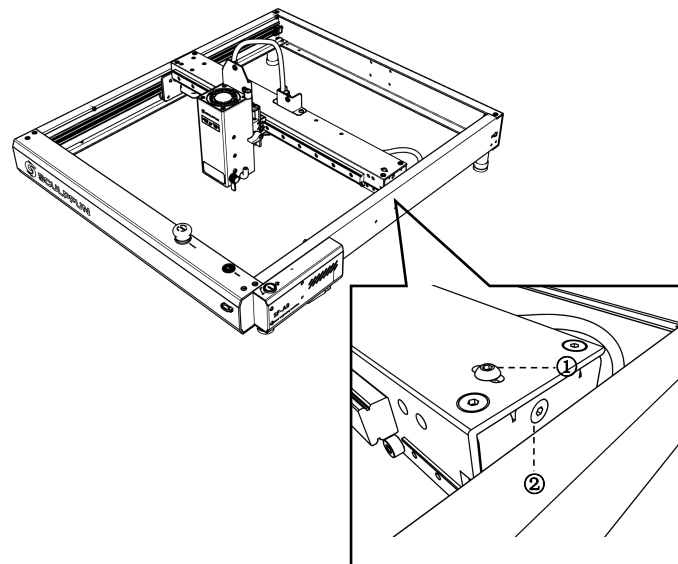
Ajustez les bandes transporteuses sur les ailes gauche et droite

(1) Desserrez d'abord la vis 1, puis ajustez la vis 2.

(2) Lors du réglage de la vis 2, serrez-la dans le sens des aiguilles d'une montre ; desserrez-le dans le sens inverse des aiguilles d'une montre.

(3) Le serrage des courroies transporteuses sur les déflecteurs gauche et droit doit être cohérent, sinon cela affectera l'effet de gravure.

(4) Après avoir réglé le serrage, serrez la vis 1.



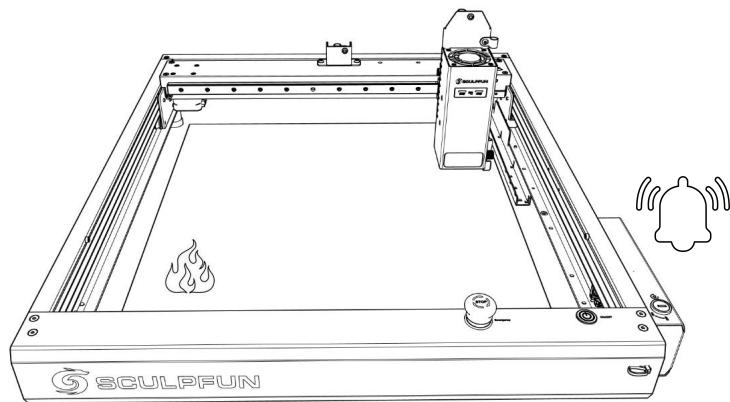
Ajustement de la bande transporteuse sur la plaque centrale

(1) Desserrez d'abord la vis 1, puis ajustez la vis 2.

(2) Lors du réglage de la vis 2, serrez-la dans le sens des aiguilles d'une montre ; desserrez-le dans le sens inverse des aiguilles d'une montre.

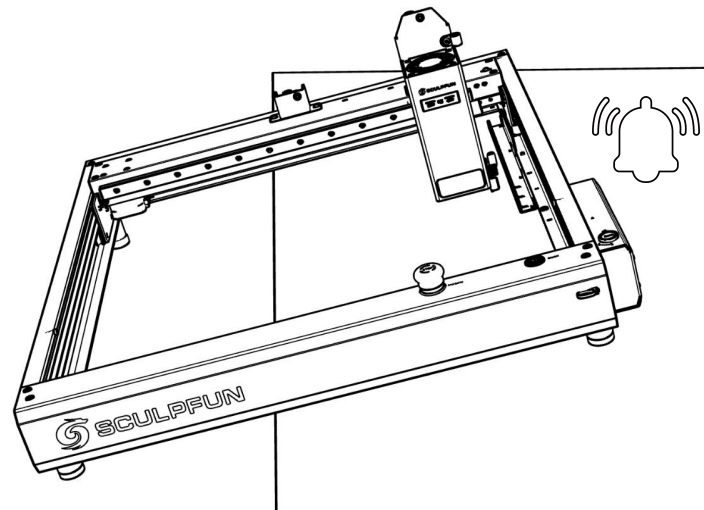
(3) Après avoir réglé le serrage, serrez la vis 1

7. Instructions d'alarme de flamme



- (1) Il y a un capteur de flamme intégré + un capteur de température sous le laser.
- (2) Après avoir détecté la flamme, la machine calculera automatiquement la distance la plus sûre. Une fois que la tête laser s'est déplacée vers une position sûre, elle cessera de fonctionner et déclenchera une alarme pour éviter tout danger.
- (3) Le son de l'alarme ne s'arrêtera pas automatiquement et la machine devra être redémarrée manuellement.

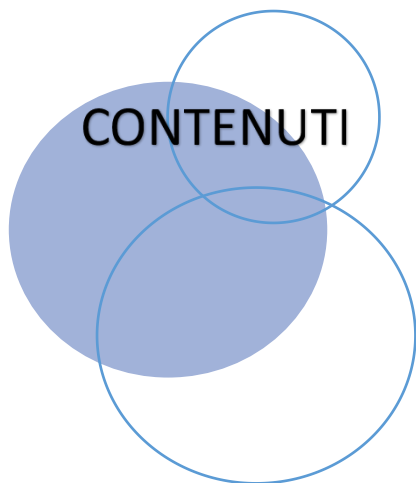
8. Description de l'alarme d'inclinaison



- (1) La machine dispose d'un capteur d'inclinaison intégré
- (2) Lorsque la table sur laquelle la machine est placée s'incline et que l'angle dépasse 15°, elle cessera de fonctionner et déclenchera une alarme pour éviter tout danger.
- (3) Le son de l'alarme ne s'arrêtera pas automatiquement et la machine devra être redémarrée manuellement.

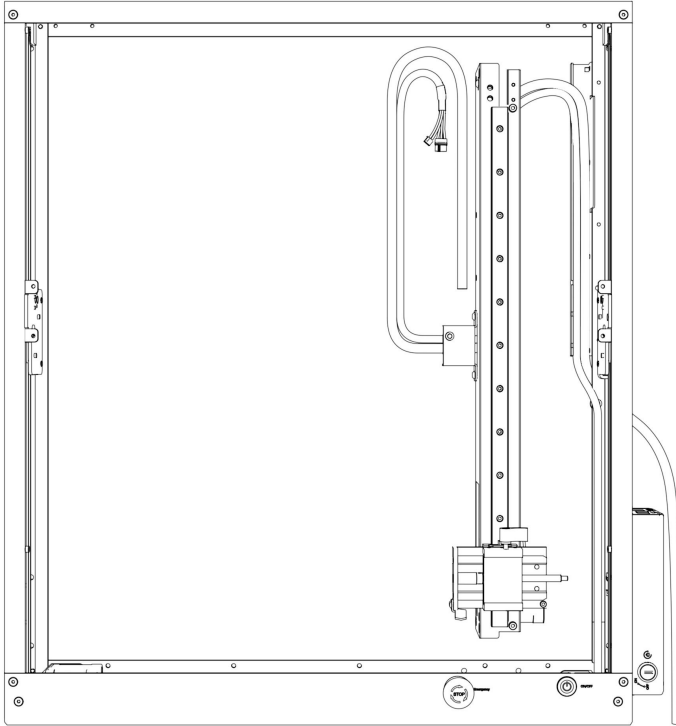
9. Si les étapes ci-dessus ne peuvent pas être résolues par vous-même ou si vous avez d'autres questions.

Vous pouvez envoyer la vidéo de défaut, la machine et d'autres informations à l'e-mail après-vente officiel de SculpFun (support@sculpfun.com) , Le personnel après-vente s'en chargera pour vous.

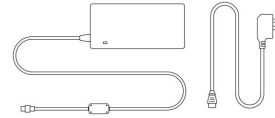


1. Elenco prodotti -----	1
2. Incontra l'SF-A9 -----	3
3. Assemblaggio dell'SF-A9 -----	5
4. messa a fuoco -----	7
5. Download e connessione dell'APP -----	8
6. Introduzione all'interfaccia APP -----	11
7. Collegamento al PC -----	15
8. Istruzioni per l'uso -----	17

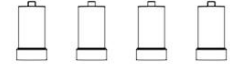
1. Elenco prodotti



1 x Ospite



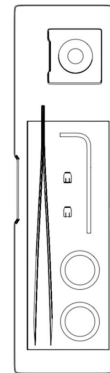
1 x Adattatore di
alimentazione



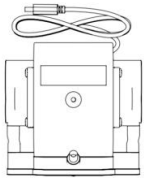
4 x Base



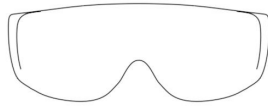
1 x 40W Testa laser



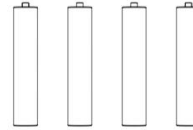
1 x Kit di riparazione
dell'obiettivo



1 x Pompa d'aria



1 x Occhiali



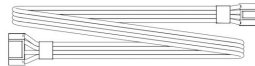
4 x Espandi la base



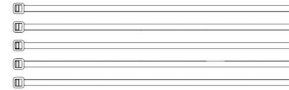
1 x Antenna



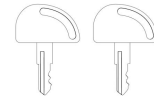
1 x Cavo dati



1 x Filo motore
(per asse rotante)



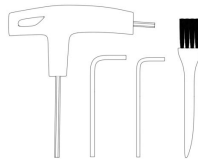
5 x Cravatte



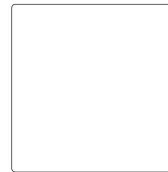
2 x Chiave



4 x Vite



1 x Kit di strumenti

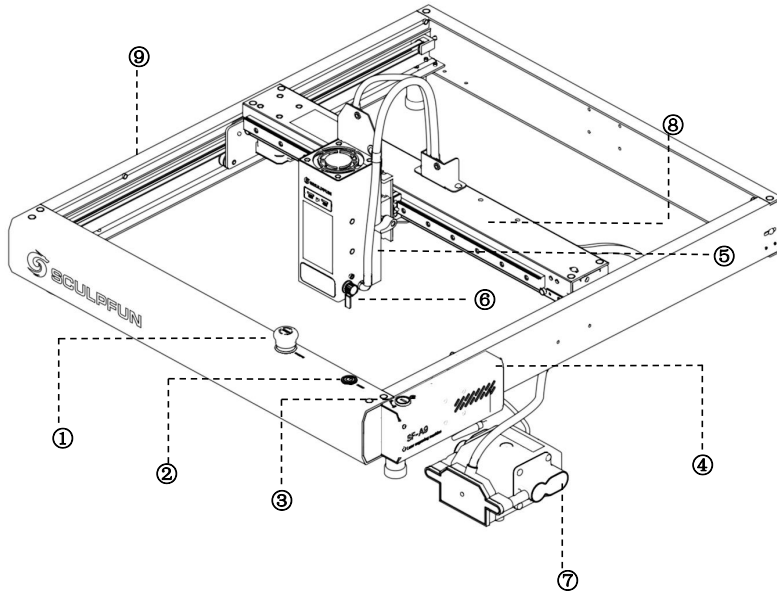


1 x Piastra in alluminio



2 x Tavola in taglio

2. Scopri l'SF-A9



① Manopola di arresto di emergenza

② Pulsante di commutazione

③ Interruttore a chiave

④ Scatola della scheda madre

⑤ Laser

⑥ Colonna a fuoco fisso

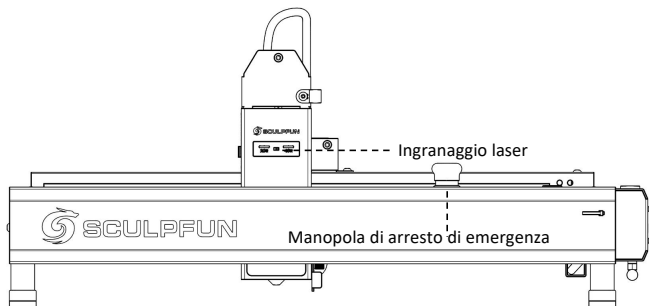
⑦ Pompa dell'aria

⑧ Asse X

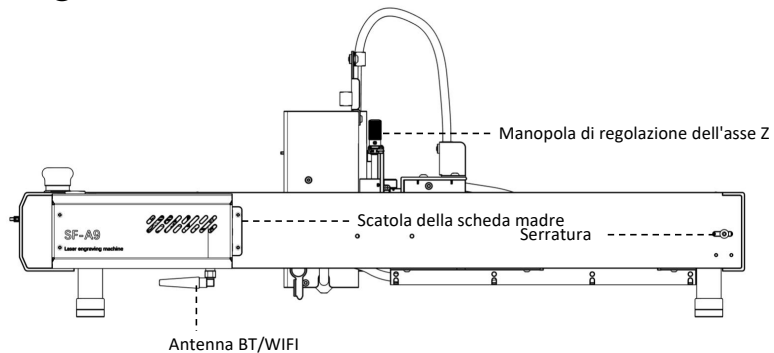
⑨ Asse Y

2.1 Schema della struttura

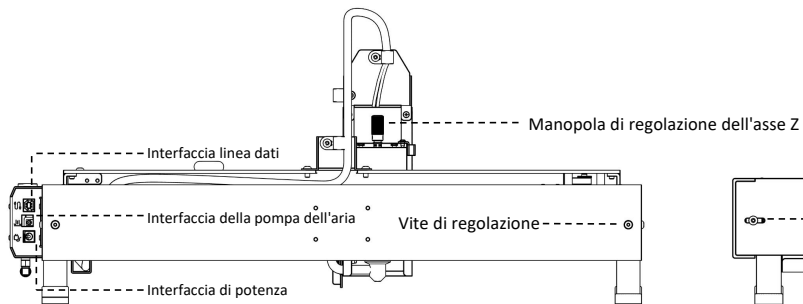
① Vista frontale



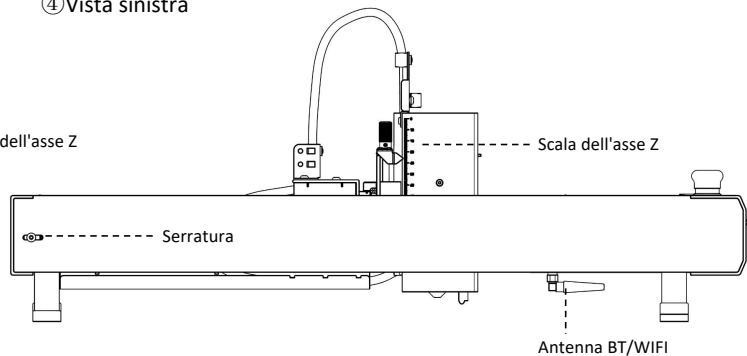
② Elevazione destra



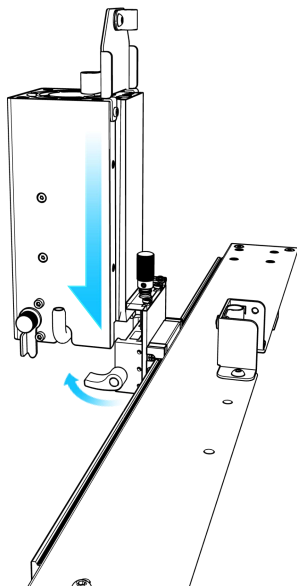
③ Vista posteriore



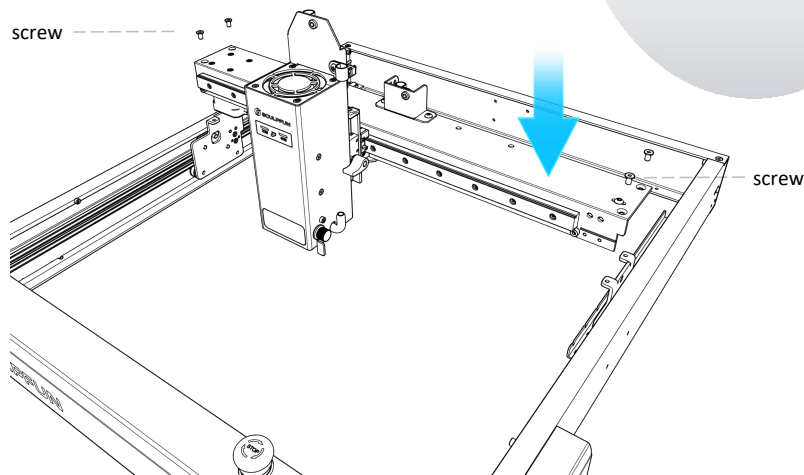
④ Vista sinistra



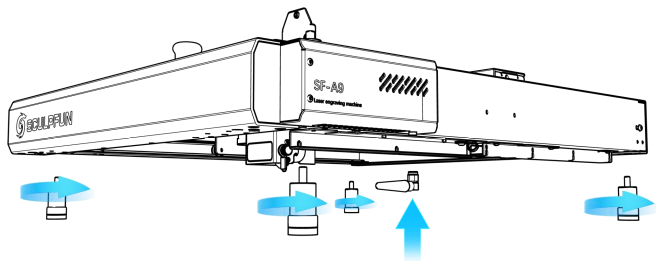
3. Assemblaggio dell'SF-A9



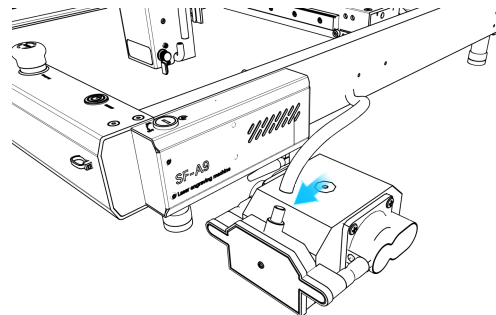
① Dopo aver aperto la scatola di imballaggio, installare prima la testina laser sull'asse X e serrare le viti a testa zigrinata.



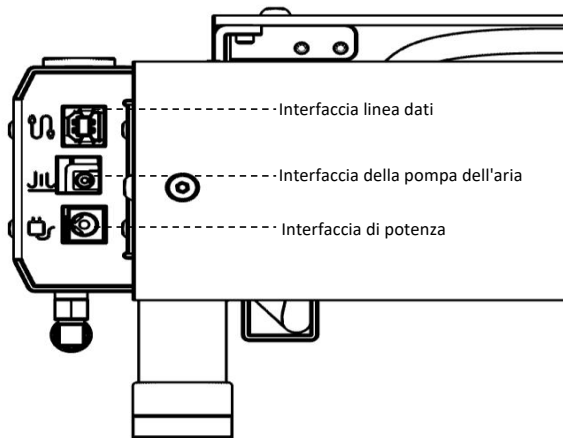
② Dopo aver estratto l'asse X con la testa laser e il telaio host installati, posizionare l'asse X sul telaio host e serrare le quattro viti per fissare l'asse X.



③ Installare i quattro piedini e l'antenna BT/WiFi

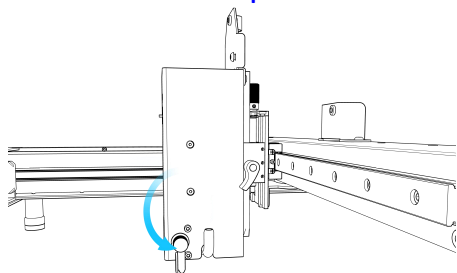


④ Collegare il tubo dell'aria della macchina alla pompa dell'aria

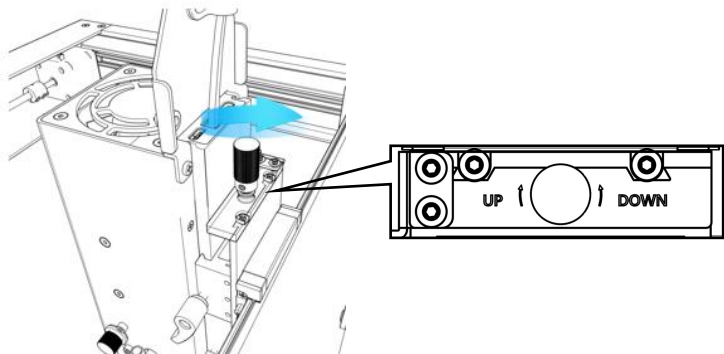


- ⑤
1. Collegare l'interfaccia dati al computer
 2. Collegare il cavo di alimentazione della pompa dell'aria all'interfaccia della pompa dell'aria.
 3. Collegare l'alimentazione della macchina
 4. Puoi accendere la macchina e usarla

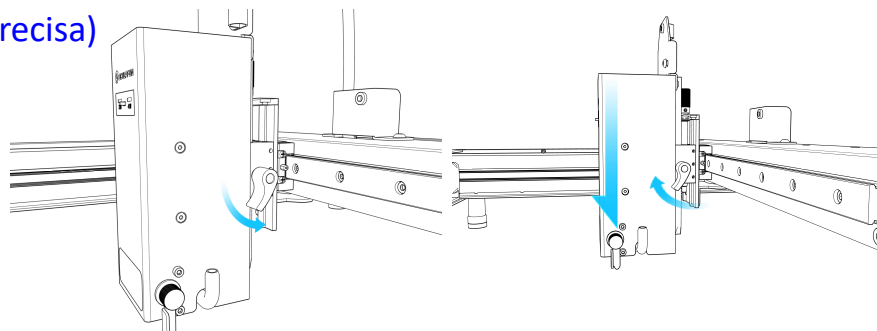
4、 messa a fuoco (messa a fuoco rapida e messa a fuoco precisa)



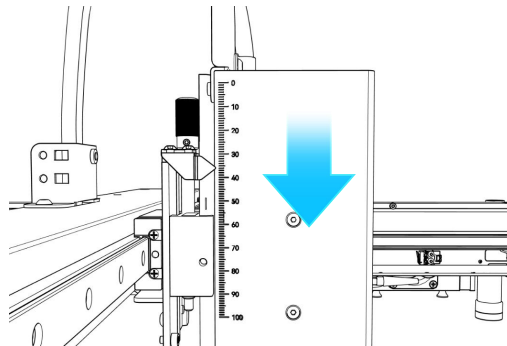
- ① Appoggiare la colonna di messa a fuoco sul lato destro della testa del laser



- ③ **Messa a fuoco precisa:** Quando si tagliano oggetti spessi, una volta completata la messa a fuoco rapida, ruotare la messa a fuoco precisa verso il basso di 1-3 mm per migliorare l'effetto di taglio.



- ② **Messa a fuoco rapida:** Girare la vite destra per spostare la colonna di messa a fuoco sulla superficie dell'oggetto da incidere, stringere la vite e ritrarre la colonna di messa a fuoco.



- ④ Puoi controllare con precisione l'altezza osservando la scala a sinistra. Scolpire oggetti di diverse altezze richiede una rimessa a fuoco, per garantire l'effetto del lavoro.

5、Download del software dell'APP

- ① Il computer accede al sito Web ufficiale per il download **Sculpfun Laser Tool (MAC & WIN)**
- ② Cerca sculpfun su Google Store o Apple Store sul tuo telefono cellulare oppure scansiona il codice QR di seguito.



Android



iOS



PC Tool
(MAC or WIN)

Nota:

1. Android deve utilizzare un browser per scansionare il codice QR da scaricare.
2. Al termine dell'installazione, è necessario fornire le autorizzazioni corrispondenti
3. Se non è presente Google Store, puoi scansionare PC TOOL e accedere al sito Web ufficiale per scaricare la versione di installazione APK.

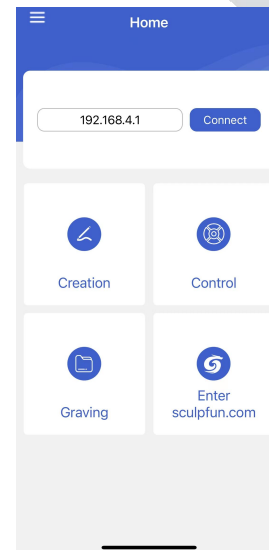
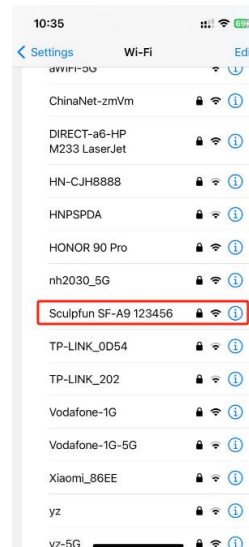


Nota: l'interfaccia di aggiornamento del software potrebbe cambiare. Scansiona il codice QR o segui il canale YOUTUBE ufficiale per ottenere gli ultimi tutorial video dettagliati sull'utilizzo. <https://www.youtube.com/@SCULPFUNReal>



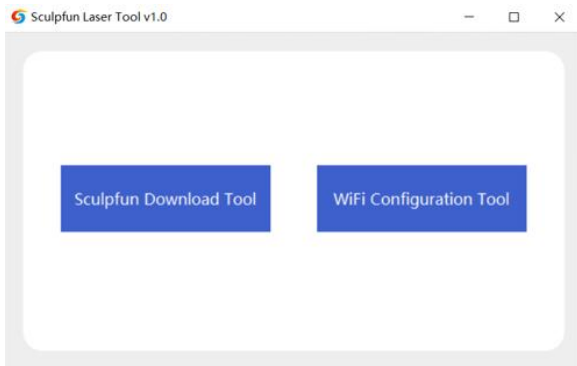
5.1 Metodo di connessione APP mobile 1 (AP WIFI)

- ① L'impostazione predefinita è la modalità AP. Dopo aver acceso la macchina, la macchina trasmette automaticamente il Wi-Fi
- ② Passa il telefono cellulare connesso al Wi-Fi della macchina, **il nome Wi-Fi è Sculpfun SF-A9 XXXXX, la password predefinita è: 12345678**
- ③ **L'indirizzo IP predefinito è: 192.168.4.1**, inserire l'indirizzo IP predefinito nell'APP SculpFun per connettersi all'APP

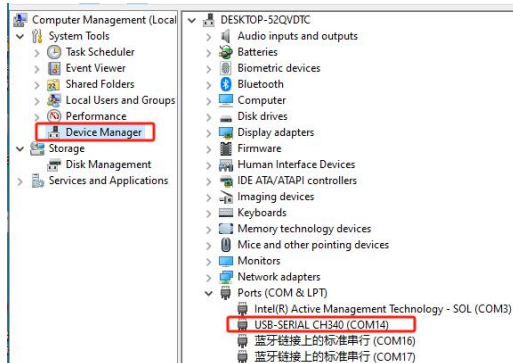


5.2 Metodo di connessione all'APP mobile 2 (Modalità WIFI: connessione al Wi-Fi di casa)

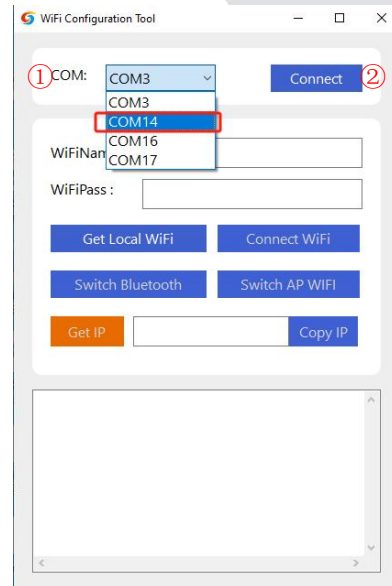
- ① Collegare la macchina a un computer con cavo dati
- ② Apri il software di configurazione Sculpfun Laser Tool scaricato sul tuo computer
- ③ Scegli Strumento di configurazione WiFi



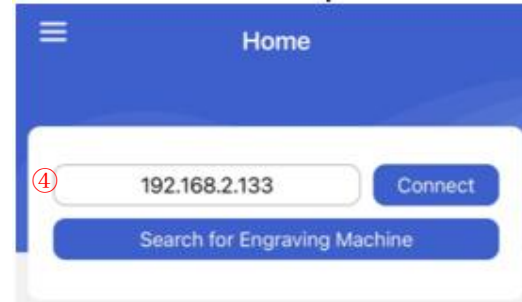
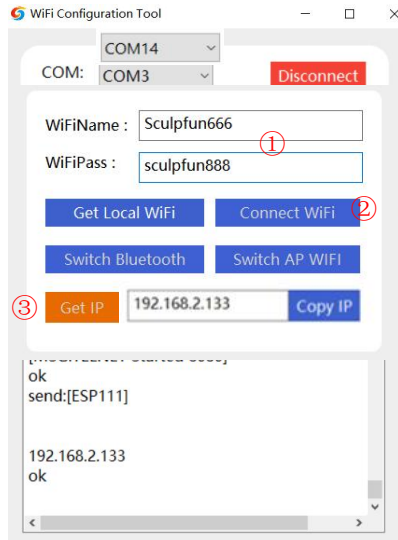
- ① Apri la gestione del computer
- ② Controllare la COM corrispondente al CH340



- ① Selezionare la COM della macchina
- ② Fare clic su Connetti per connettere la macchina



- ① Inserisci il nome e la password WiFi a casa
- ② Fare clic su Connetti Wi-Fi
- ③ Fare clic su Ottieni IP per ottenere l'indirizzo IP della macchina corrente. A questo punto è possibile scollegare il cavo dati e trasferirlo sull'APP mobile per il funzionamento.
- ④ Immettere l'indirizzo IP ottenuto nell'APP mobile e fare clic su Connetti.

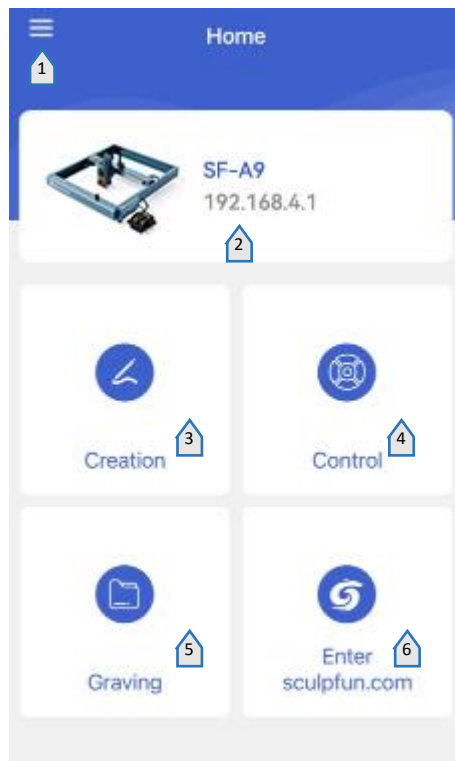
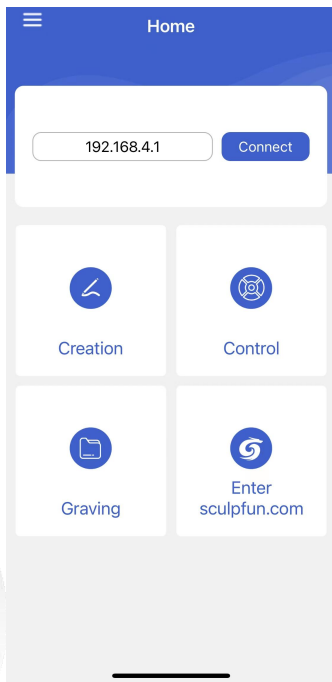


Avviso:

1. La macchina supporta solo WiFi a 2,4 Ghz, assicurati che il WiFi a casa sia a 2,4 Ghz
2. Per ottenere l'indirizzo IP della macchina, fare riferimento al display del software. L'immagine sopra è solo di riferimento.
3. Connettiti al WiFi di casa. La password non supporta simboli speciali. Supporta solo combinazioni inglesi o numeriche. Se è troppo complicato, devi cambiare la password WiFi.
4. Il telefono cellulare deve trovarsi sulla stessa rete WiFi della macchina.

6、 Introduzione all'interfaccia APP

- ① Inserisci l'indirizzo WiFi della macchina,
- ② Fare clic su Connetti per connettere la macchina
- ③ Dopo la connessione, vengono visualizzati l'indirizzo IP e il nome.



① Impostare

Accordo con l'utente/Termini sulla privacy/Informazioni sulla versione/Impostazioni della lingua

② Informazioni sulla macchina

Nome della macchina/indirizzo IP

③ Creazione

Fotocamera/Libreria materiali integrata/Libreria immagini/Pennello/Codice QR/Modifica testo

④ Controllo

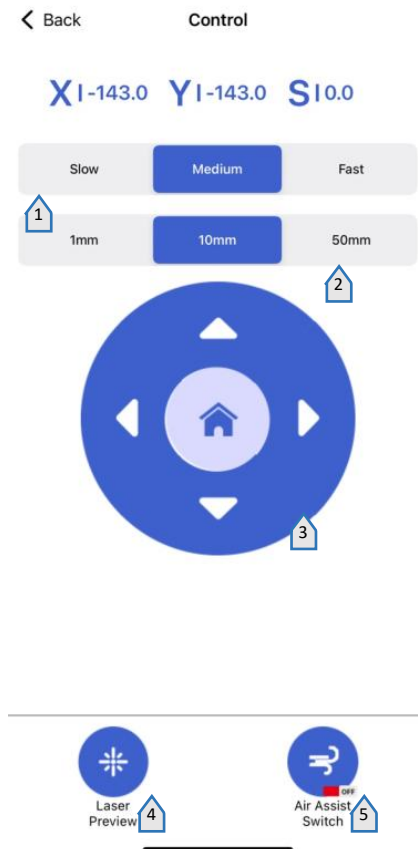
Controllare il movimento della macchina per incidere

⑤ Scavando

Visualizza i file caricati sulla macchina

⑥ Visita il sito ufficiale

6.1 Introduzione all'interfaccia di controllo



① Imposta la velocità di movimento del laser

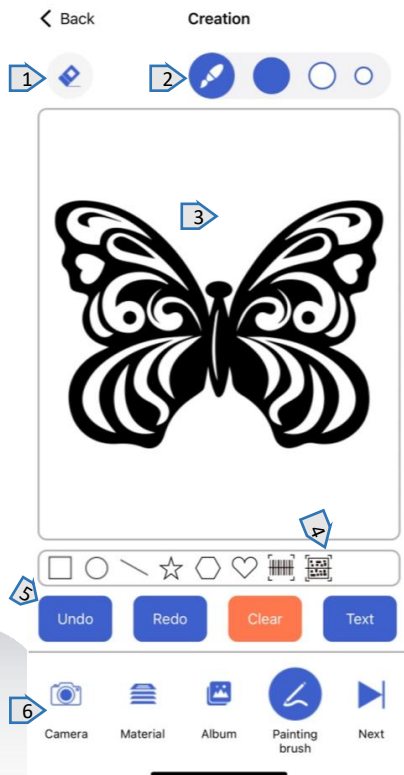
② Imposta la distanza di spostamento del laser con un solo clic

③ Pannello di controllo
Il centro viene ripristinato

④ anteprima laser

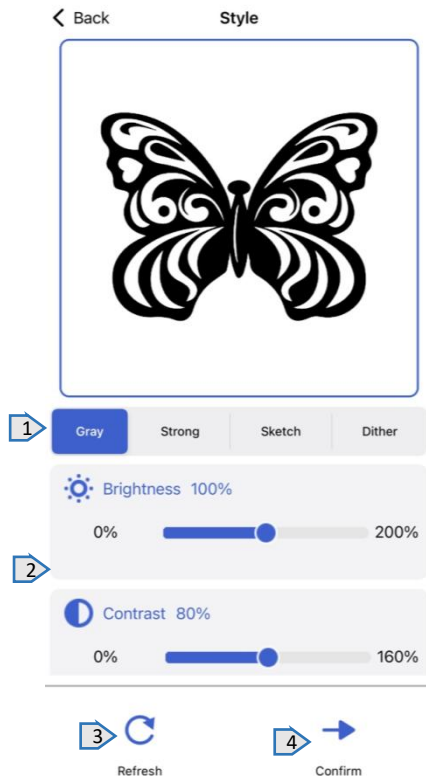
⑤ Assistenza aerea

6.2 Introduzione all'interfaccia di creazione di APP mobili



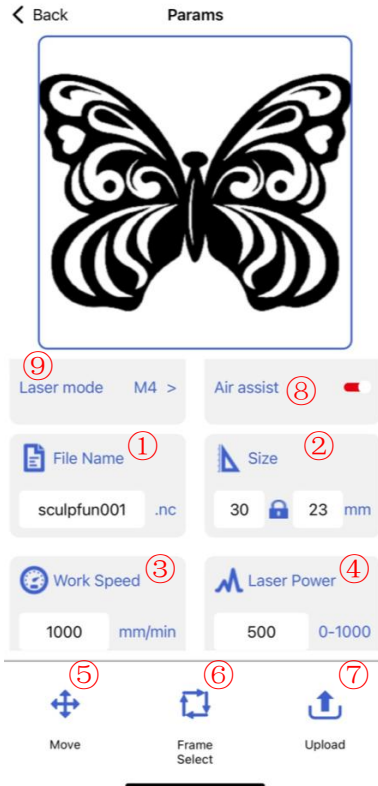
- ① Gomma per cancellare
- ② Spazzola
- ③ Area di disegno
- ④ Inserisci forma/codice QR
- ⑤ Settore operativo/immissione testo
- ⑥ Importazione materiale

6.3 Selezione della modalità di incisione



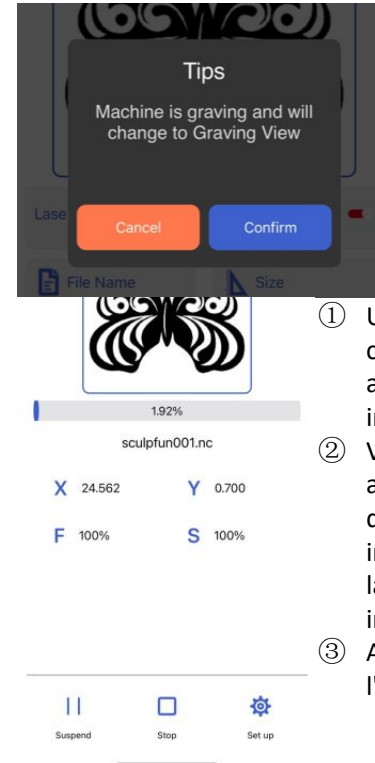
- ① Selezione della modalità
- ② Impostazioni dei parametri della modalità corrispondente
- ③ Ripristinare i parametri
- ④ Dopo aver selezionato la modalità e i parametri, selezionare Avanti per preparare l'incisione.

6.4 Impostazioni dei parametri di incisione



- ① Dai un nome al file
- ② Regola la dimensione dell'incisione
- ③ Imposta la velocità di incisione
- ④ Imposta la potenza di incisione
- ⑤ Sposta la posizione del laser
- ⑥ Anteprima dell'incisione
- ⑦ Carica il file dell'incisione
- ⑧ interruttore di assistenza pneumatica
- ⑨ Modalità di incisione M3/M4 (M3 potenza costante M4 potenza variabile)

6.5 Engraving interface



- ① Una volta completato il caricamento, la macchina avvierà l'attività di incisione
- ② Visualizza la barra di avanzamento dell'incisione e la parte inferiore può controllare la macchina per mettere in pausa e avviare
- ③ Aspetta solo che l'incisione sia completata

7 Introduzione al software per PC



Mac OS: [LightBurn](#)

Linux: [LightBurn](#)

Windows: [LightBurn](#) & [LaserGRBL](#)

LightBurn

<https://lightburnsoftware.com/pages/download-trial>



LaserGRBL

<https://lasergrbl.com/download/>

7.1 Metodo di connessione al PC 1 Connessione USB

- ① Collegare la macchina al computer utilizzando un cavo dati
- ② Dopo l'accensione, aprire LightBurn o LaserGRBL dopo aver selezionato la porta della macchina. Pronto all'uso



7.2 Metodo di connessione al PC 2 Connessione Bluetooth

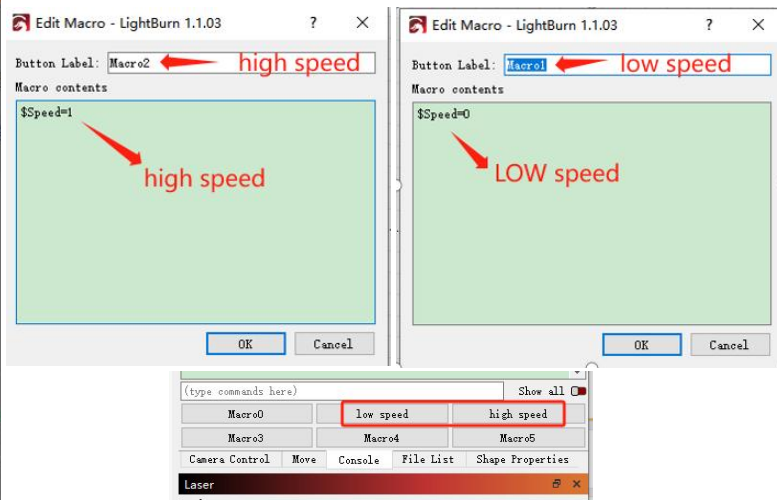
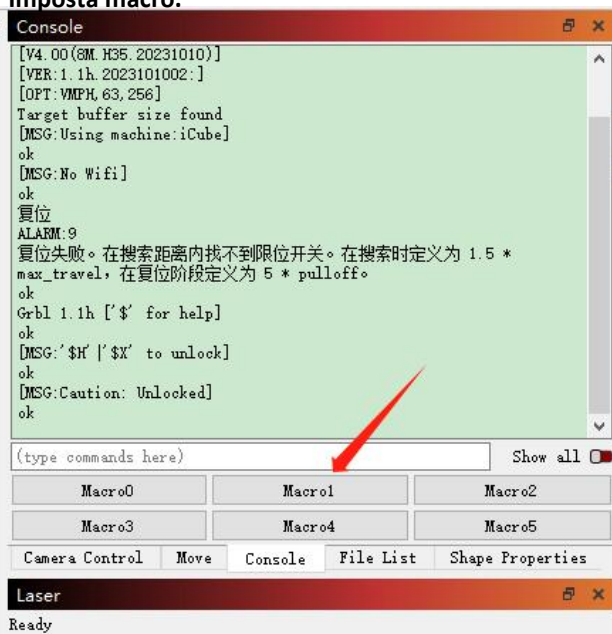
- ① Collegare la macchina al computer utilizzando un cavo dati
- ② Dopo aver acceso la macchina, il computer apre il software di configurazione Sculpfun Laser Tool
- ③ Fare clic su Cambia Bluetooth per passare la macchina alla modalità Bluetooth. La casella di testo visualizzerà il nome Bluetooth della macchina.
- ④ Scollegare il cavo dati USB, **la macchina per la connessione Bluetooth del computer**
- ⑤ Apri [LightBurn](#) o [LaserGRBL](#) e seleziona la porta Bluetooth corrispondente

The composite image illustrates the Bluetooth connection process. It shows the 'WiFi Configuration Tool' interface where the 'Switch Bluetooth' button is highlighted with a red circle and the number 3. To the right, the Windows 'Bluetooth & other devices' settings window is shown, with the 'Sculpfun SF-A9 63714' device listed and circled in red, accompanied by a red circle with the number 4. Below these, a terminal window displays the device name 'Sculpfun SF-A9 63714' and the selected COM port 'COM16', both highlighted with red boxes and a red circle with the number 3.

7.3 Commutazione della modalità del computer (modalità di precisione-modalità ad alta velocità)

- ① La macchina è impostata automaticamente sulla modalità precisione, che può essere modificata tramite lightburn
- ② Dopo aver aperto Lightburn, imposta il pulsante macro nella console
- ③ $\$Speed=0$ (low speed)、 $\$Speed=1$ (high speed)
- ④ Successivamente è possibile passare con un clic tramite il pulsante Imposta macro.

	X.max mm/min	Y.max mm/min	acceleration
$\$speed=0$ (low)	20000	20000	1000
$\$speed=1$ (high)	36000	36000	3000



low Più adatto per il taglio
high Più adatto per l'incisione e più veloce

8. Istruzioni per l'uso

Grazie per aver acquistato la macchina per incisione laser della nostra azienda. Questa apparecchiatura è un prodotto ad alta tecnologia che integra luce, macchinari ed elettricità.

Per poter utilizzare e mantenere al meglio questa apparecchiatura, leggere attentamente il manuale dell'utente e seguire i passaggi nel manuale dell'utente.

Dichiarazione importante!

Tutte le perdite causate da un uso improprio o dalla mancata osservanza delle istruzioni contenute nel manuale dell'utente saranno a carico dell'individuo. L'azienda ha il diritto finale di interpretare il presente manuale e ha il diritto di modificare tutte le informazioni, dati, dettagli tecnici, ecc. contenuti in questo manuale.

Misure di sicurezza

*Prima di utilizzare l'apparecchiatura, gli utenti devono leggere attentamente il manuale dell'utente e attenersi rigorosamente alle procedure operative.

*La lavorazione laser può comportare rischi. Gli utenti dovrebbero valutare attentamente se l'oggetto da elaborare è adatto alle operazioni laser.

*Il trattamento degli oggetti e delle emissioni deve essere conforme alle leggi e ai regolamenti locali.

*Questa apparecchiatura utilizza un laser di Classe IV (forte radiazione laser). Questa radiazione laser può causare le seguenti condizioni:

① Accendere i materiali infiammabili circostanti;

② Durante il processo di lavorazione laser, a seconda degli oggetti di lavorazione possono essere prodotti altre radiazioni e gas tossici e nocivi;

③ L'irradiazione diretta della radiazione laser può causare lesioni personali. Il luogo di utilizzo deve essere dotato di attrezzature antincendio. È vietato accatastare oggetti infiammabili ed esplosivi intorno al banco di lavoro e alle attrezzature. Allo stesso tempo, è necessario mantenere una buona ventilazione.

*L'ambiente in cui è posizionata l'apparecchiatura deve essere asciutto, privo di inquinamento, vibrazioni, forte elettricità, forte magnetismo e altre interferenze e influenze. Temperatura ambiente di lavoro 10-35°C, umidità ambiente di lavoro 5-95% (senza condensa)

Avviso!



1. Dopo aver acceso il laser, è severamente vietato puntarlo su persone, animali e oggetti infiammabili per evitare ustioni alla pelle e incendi.

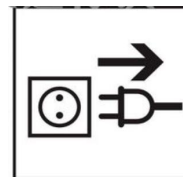


2. La luminosità del laser è dannosa per gli occhi. Si prega di cercare di non guardare direttamente il laser.



禁止伸入
No reaching in

3. Tenere le mani lontane dalla macchina quando la macchina è in funzione per evitare lesioni.



4. Scollegare la macchina quando non in uso per evitare operazioni errate da parte di terzi.

8.1 Parametri del materiale consigliati

Parametri consigliati per la modalità precisione

SF-A9 40 W (la potenza della testina laser è di circa 40 W)

40W	Material name	power(%)	speed(mm/m)	frequency
taglio	6.2mm Carta ondulata	100%	≤2500	1
	2.2mm Pelle artificiale	100%	≤1000	1
	8mm MDF	100%	≤250	1
	30mm Paulownia	100%	≤200	2
	3mm Tiglio	100%	≤1500	1
	20mm Tiglio	100%	≤150	1
	12mm Acrilico	100%	≤100	2

Nota: i seguenti parametri sono testati in un ambiente di laboratorio e sono solo di riferimento.

Esistono differenze tra i diversi materiali e i parametri oscilleranno.

SF-A9 20 W (la potenza della testina laser è di circa 20 W)

20W	Material name	power(%)	speed(mm/m)	frequency
taglio	4mm MDF	100%	≤200	1
	8mm MDF	100%	≤200	3
	10mm Paulownia	100%	≤400	1
	25mm Paulownia	100%	≤200	3
	3mm Tiglio	100%	≤850	1
	10mm Tiglio	100%	≤200	1
	20mm Tiglio	100%	≤200	3

40W	Material name	power(%)	speed(mm/m)	frequency
Scultura	Carta ondulata	15%	6000	1
	Pelle artificiale	15%	8000	1
	MDF	20%	6000	1
	Bambù	25%	5000	1
	Tiglio	30%	6000	1
	Metallo laccato	30%	5000	1

20W	Material name	power(%)	speed(mm/m)	frequency
Scultura	Carta ondulata	10%	3000	1
	pelle artificiale	10%	5000	1
	MDF	10%	2000	1
	Bambù	15%	2500	1
	Tiglio	20%	3000	1
	Metallo laccato	20%	3000	1

Raccomandazione sui parametri della modalità ad alta velocità

SF-A9 40 W (la potenza della testina laser è di circa 40 W)

40W	Material name	power(%)	speed(mm/m)	frequency
Scultura	Carta ondulata	55%	36000	1
	pelle artificiale	50%	36000	1
	MDF	75%	36000	1
	Bambù	100%	36000	1
	Tiglio	100%	36000	1
	metallo laccato	60%	36000	1

SF-A9 20 W (la potenza della testina laser è di circa 20 W)

20W	Material name	power(%)	speed(mm/m)	frequency
Scultura	Carta ondulata	100%	36000	1
	pelle artificiale	70%	36000	1
	MDF	100%	30000	1
	Bambù	100%	15000	1
	Tiglio	100%	10000	1
	metallo laccato	100%	36000	1

Nota: i seguenti parametri sono testati in un ambiente di laboratorio e sono solo di riferimento. Esistono differenze tra i diversi materiali e i parametri oscilleranno.

8.2 Problema comune

1、 Perché la ventola del laser non gira?

Quando il laser smette di funzionare, la ventola si fermerà automaticamente dopo 2 minuti di raffreddamento per evitare rumore. Dopo aver iniziato il lavoro, ruoterà di nuovo

2、 Come posizionare manualmente l'SF-A9

- ① Appoggiare la colonna di messa a fuoco fissa sul lato destro del laser e allentare la vite a testa zigrinata.
- ② Far scorrere il laser su e giù in modo che la colonna di messa a fuoco fissa poggi contro la superficie dell'oggetto da lavorare.
- ③ Stringere la vite a testa zigrinata e ritrarre la colonna di messa a fuoco fissa.
- ④ Quando si tagliano oggetti spessi, una volta completata la messa a fuoco, è possibile utilizzare la manopola dell'asse Z posteriore per osservare la scala sinistra e abbassarla di 1-3 mm per migliorare l'effetto di taglio.

3、 Nessuna risposta durante la connessione all'APP mobile

- ① Esistono due modi per connettere l'APP, la modalità Wi-Fi AP e la modalità Wi-Fi
- ② In modalità Wi-Fi AP, la macchina avvierà automaticamente il Wi-Fi, il nome è Sculpfun SF-A9 XXXXX, la password predefinita è 12345678, apri l'APP dopo la connessione, l'indirizzo IP predefinito è 192.168.4.1.
- ③ In modalità Wi-Fi, è necessario utilizzare gli strumenti informatici per connettersi al Wi-Fi. Tieni presente che può connettersi solo al Wi-Fi a 2,4 Ghz e non supporta simboli speciali. Se non può essere utilizzato normalmente, puoi contattare il nostro servizio clienti e inviare uno screenshot della configurazione del telefono cellulare per ricevere un rapido supporto tecnico.

4、 Come deve essere mantenuta la macchina e quanto spesso?

Le guide lineari X devono essere regolarmente rivestite con olio lubrificante o grasso per prevenire la ruggine.

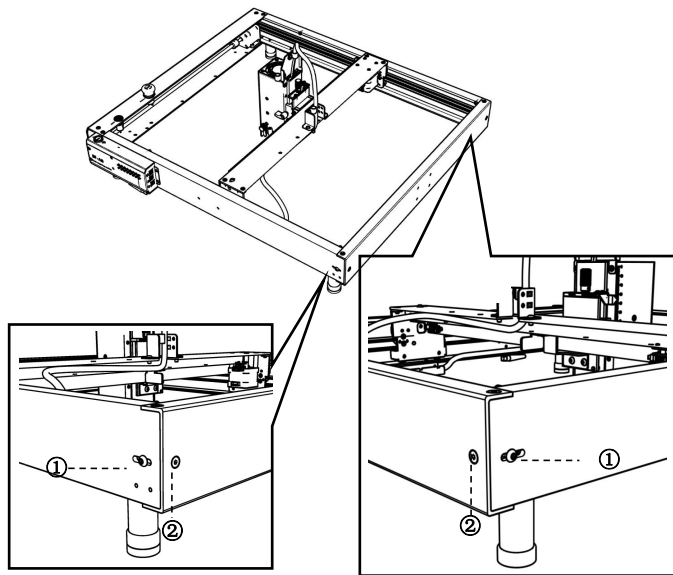
Ciclo di manutenzione: Utenti frequenti, definiti come utilizzo della macchina per più di 8 ore al giorno. La manutenzione è necessaria almeno ogni 15 giorni. Si definisce utente leggero chi utilizza la macchina per non più di 2 ore al giorno. Richiede manutenzione almeno ogni 2 mesi. Durante il ciclo di manutenzione, se compaiono sporco e impurità, è necessario pulire immediatamente la superficie della guida e applicare del grasso dopo essersi assicurati che sia pulita.

5、 Il cerchio scolpito è deformato, il rotondo non è rotondo, il quadrato non è quadrato

Motivo: forse la cintura è troppo stretta

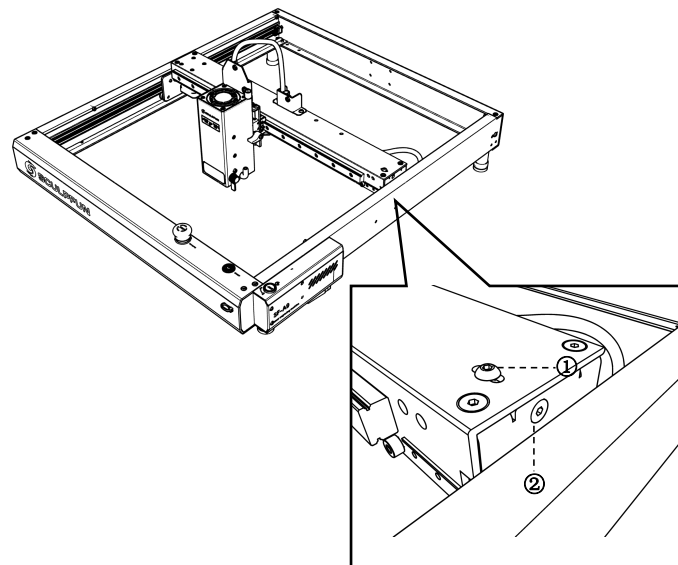
Passo: controllare la cintura. Usa le dita per tenere contemporaneamente le parti superiore e inferiore della cintura per sentire la tensione. Se è troppo largo o troppo stretto. Fare riferimento alla domanda successiva per regolare la tenuta.

6. Come regolare la tensione della cintura



Regolare i nastri trasportatori sui parafanghi sinistro e destro

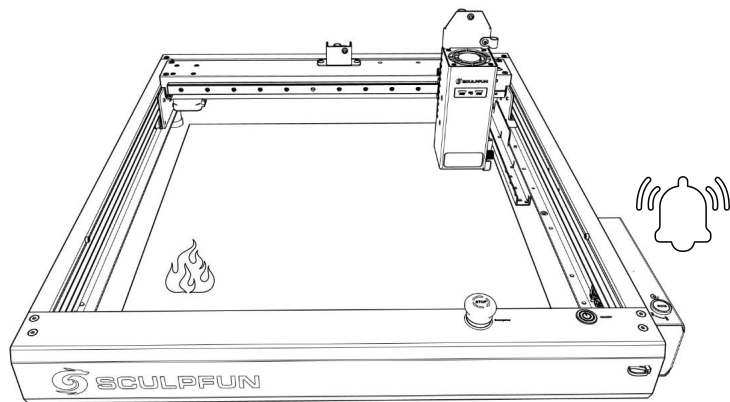
- (1) Allentare prima la vite 1, quindi regolare la vite 2
- (2) Quando si regola la vite 2, serrarla in senso orario; allentarlo in senso antiorario.
- (3) La tenuta dei nastri trasportatori sui deflettori sinistro e destro deve essere costante, altrimenti influirà sull'effetto dell'incisione.
- (4) Dopo aver regolato la tenuta, serrare la vite 1.



Regolazione del nastro trasportatore sulla piastra centrale

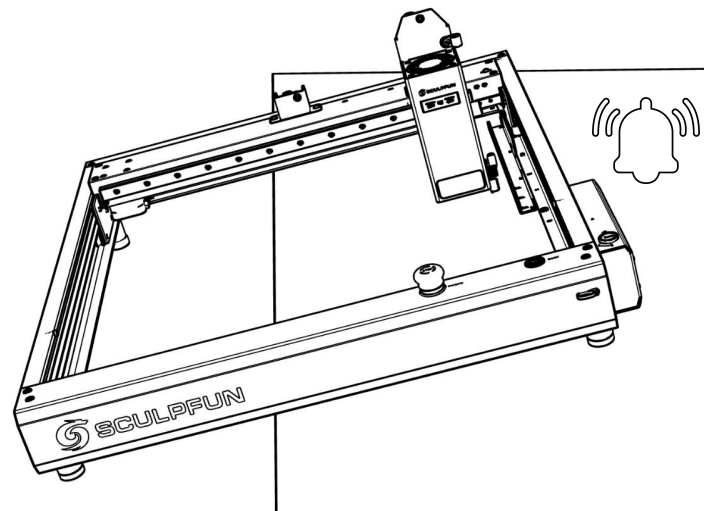
- (1) Allentare prima la vite 1, quindi regolare la vite 2
- (2) Quando si regola la vite 2, serrarla in senso orario; allentarlo in senso antiorario.
- (3) Dopo aver regolato la tenuta, serrare la vite 1

7、 Istruzioni per l'allarme fiamma



- (1) Sotto il laser è presente un sensore di fiamma + un sensore di temperatura integrati.
- (2) Dopo aver rilevato la fiamma, la macchina calcolerà automaticamente la distanza di sicurezza. Dopo che la testa del laser si è spostata in una posizione sicura, smetterà di funzionare e emetterà un allarme per evitare pericoli.
- (3) Il suono dell'allarme non si interromperà automaticamente e la macchina dovrà essere riavviata manualmente.

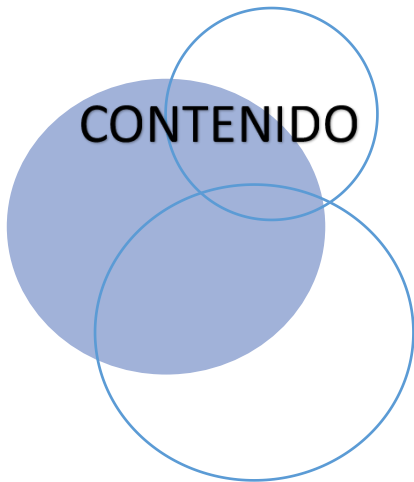
8、 Descrizione dell'allarme di inclinazione



- (1) La macchina è dotata di un sensore di inclinazione integrato
- (2) Quando il tavolo su cui è posizionata la macchina si inclina e l'angolo supera i 15°, smetterà di funzionare e emetterà un allarme per evitare pericoli.
- (3) Il suono dell'allarme non si interromperà automaticamente e la macchina dovrà essere riavviata manualmente.

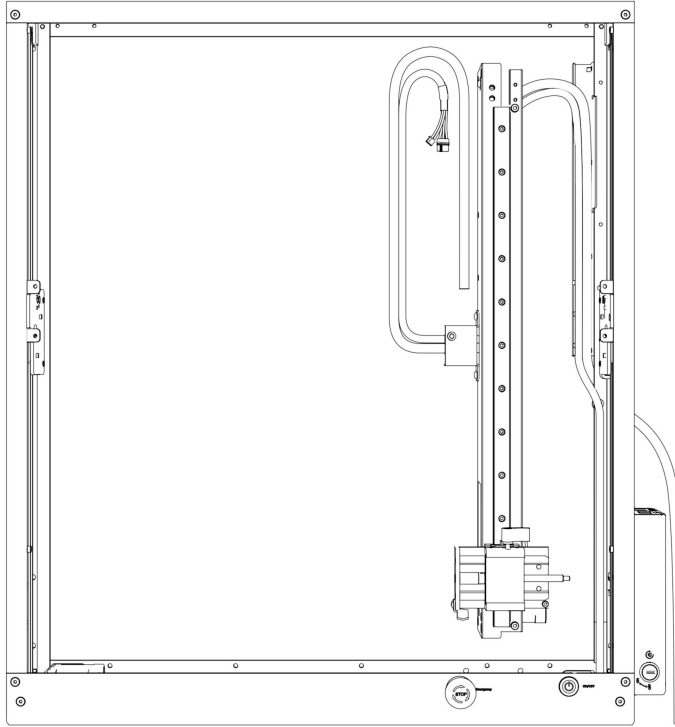
9、 Se i passaggi precedenti non possono essere risolti da solo o hai altre domande.

Puoi inviare il video del guasto, la macchina e altre informazioni all'e-mail post-vendita ufficiale di SculpFun (support@sculpfun.com), il personale post-vendita lo gestirà per te

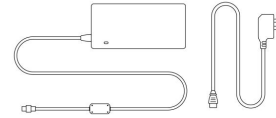


1. Lista de productos -----	1
2. Conozca el SF-A9 -----	3
3. Montaje del SF-A9 -----	5
4. Enfoque -----	7
5. Descarga y conexión de la aplicación -----	8
6. Introducción a la interfaz de la aplicación -----	11
7. Conexión a PC -----	15
8. Instrucciones de uso -----	17

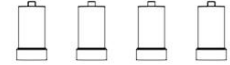
1. Lista de productos



1 x Anfitrión



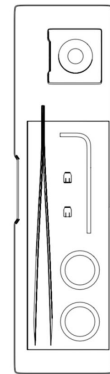
1 x Adaptador de corriente



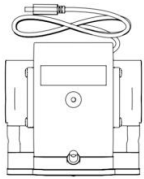
4 x Pie



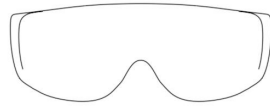
1 x 40W Cabezal láser



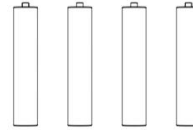
1 x Kit de reparación de lentes



1 x Bomba de aire



1 x Gafas de protección



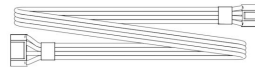
4 x Ampliar la base



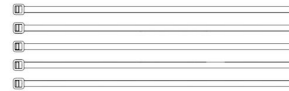
1 x Antena



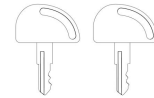
1 x Cable de datos



1 x Cable de motor
(para eje giratorio)



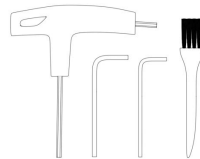
5 x Corbatas



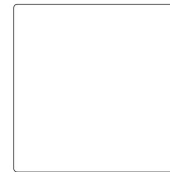
2 x Llave



4 x Tornillo



1 x Kit de herramientas

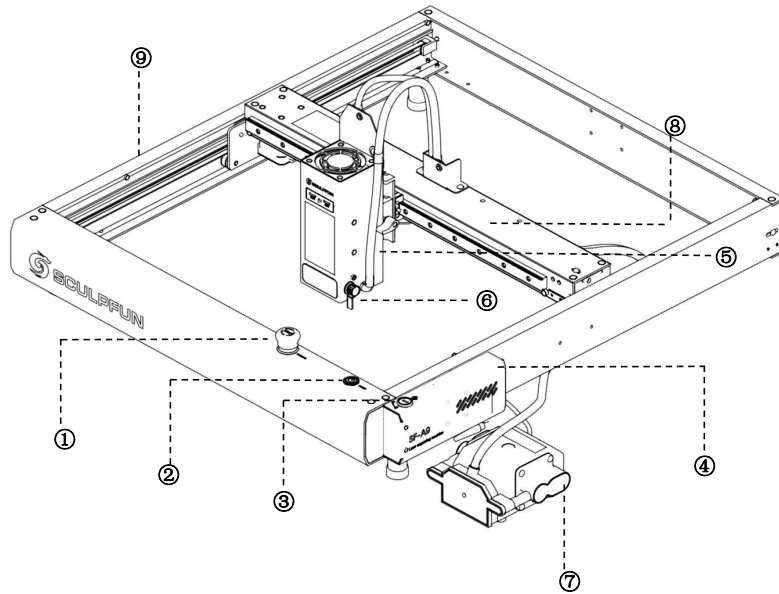


1 x Plato de aluminio



2 x Tablero de tilo

2. Conoce el SF-A9



① Perilla de parada de emergencia

② Botón de cambio

③ Interruptor de llave

④ Caja de la placa base

⑤ Láser

⑥ Columna de enfoque fijo

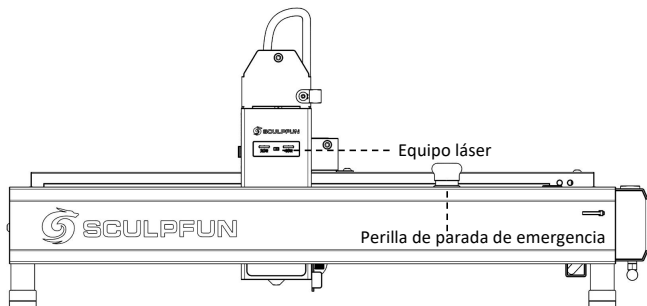
⑦ Bomba de aire

⑧ Eje X

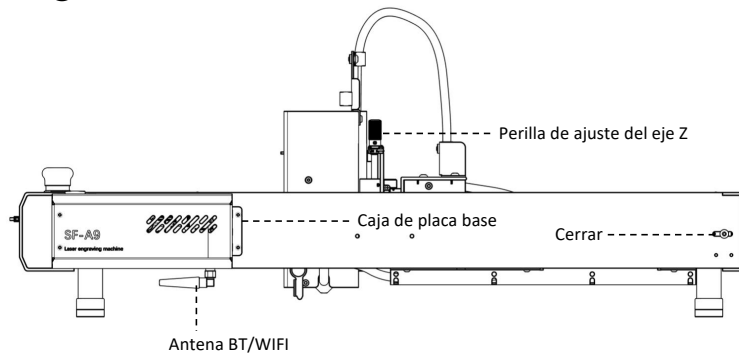
⑨ Eje Y

2.1 Diagrama de estructura

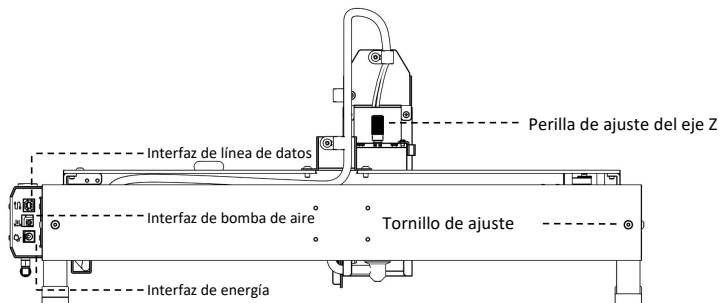
① Vista frontal



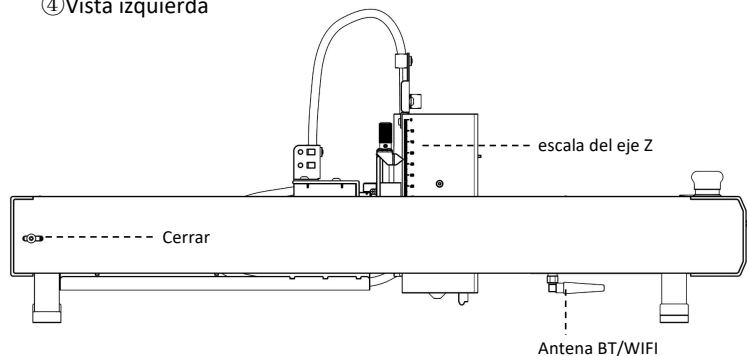
② Elevación derecha



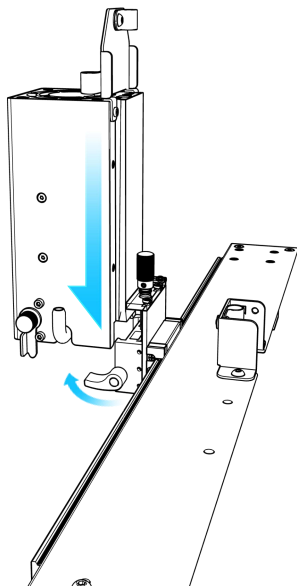
③ Vista trasera



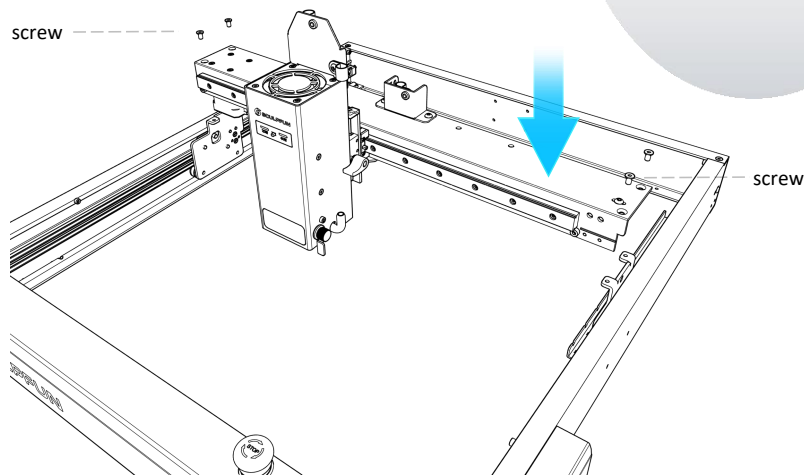
④ Vista izquierda



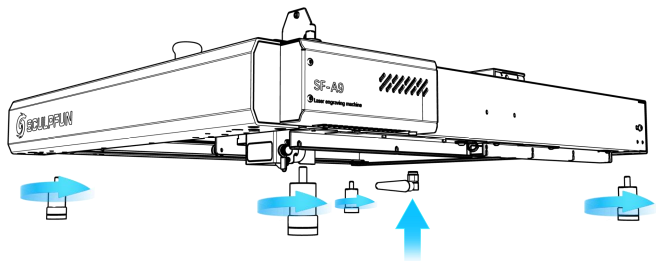
3. Montaje del SF-A9



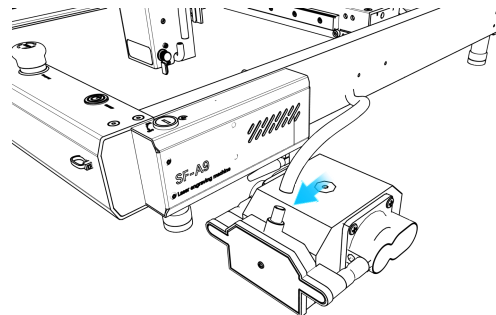
① Después de abrir la caja de embalaje, primero instale el cabezal láser en el eje X y apriete los tornillos de mariposa.



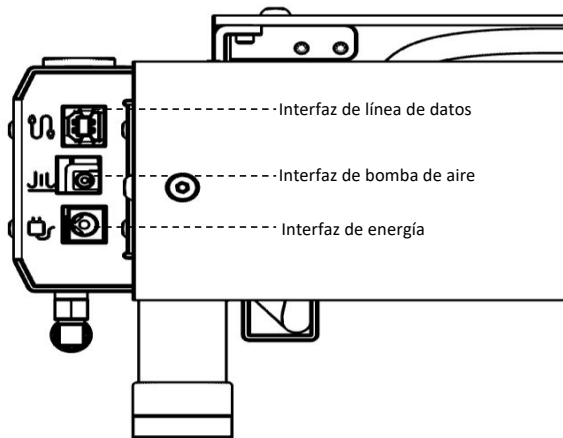
② Después de sacar el eje X con el cabezal láser y el marco principal instalados, coloque el eje X en el marco principal y apriete los cuatro tornillos para fijar el eje X.



③ Instale cuatro pies y una antena BT/WiFi



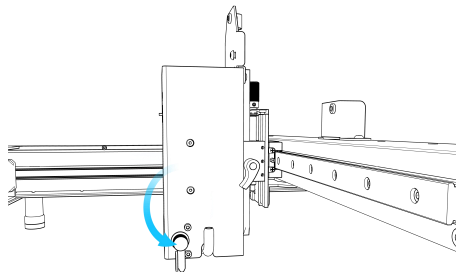
④ Conecte el tubo de aire de la máquina a la bomba de aire.



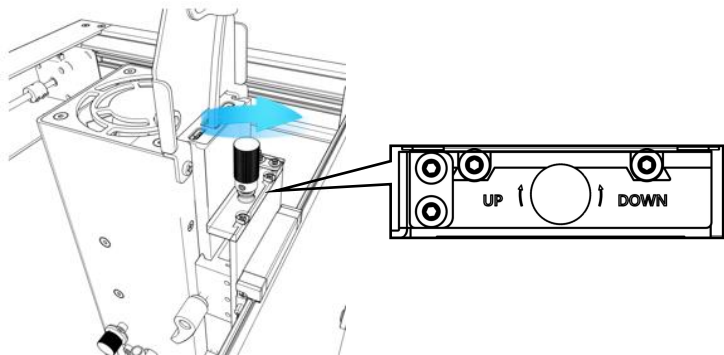
⑤

1. Conecte la interfaz de datos a la computadora.
2. Conecte el cable de alimentación de la bomba de aire a la interfaz de la bomba de aire.
3. Conecte la alimentación de la máquina.
4. Puedes encender la máquina y usarla.

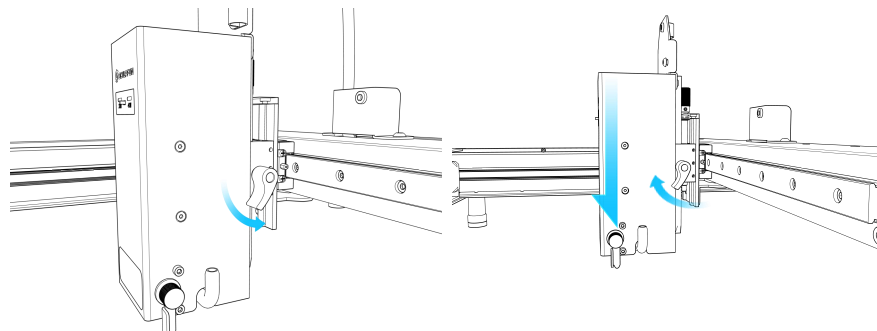
4、Enfoque (enfoque rápido y enfoque preciso)



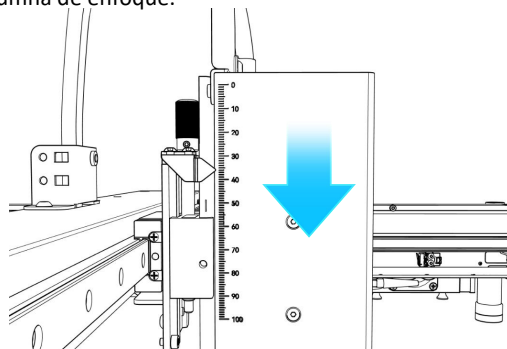
① Coloque la columna de enfoque en el lado derecho del



③ **Enfoque preciso:** Al cortar objetos gruesos, una vez completado el enfoque rápido, gire el enfoque preciso hacia abajo de 1 a 3 mm para mejorar el efecto de corte.



② **Enfoque rápido:** Gire el tornillo derecho para mover la columna de enfoque a la superficie del objeto grabado, apriete el tornillo y retraiga la columna de enfoque.



④ Puede controlar con precisión la altura observando la escala de la izquierda. Tallar objetos de diferentes alturas requiere reenfocarse para garantizar el efecto del trabajo.

5、 descarga de software de la aplicación 5.1 Método de conexión de la aplicación móvil 1 (AP WIFI)

- ① La computadora ingresa al sitio web oficial para descargar. **Sculpfun Laser Tool (MAC & WIN)**
- ② Busque sculpfun en Google Store o Apple Store en su teléfono móvil, o escanee el código QR a continuación.



Android



iOS

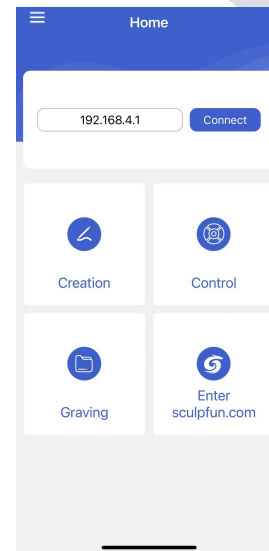
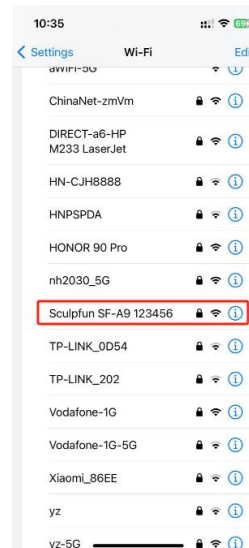


PC Tool
(MAC or WIN)

Nota:

1. Android necesita usar un navegador para escanear el código QR y descargarlo.
2. Después de una instalación exitosa, debe otorgar los permisos correspondientes.
3. Si no hay Google Store, puede escanear PC TOOL e ingresar al sitio web oficial para descargar la versión de instalación APK.

- ① El valor predeterminado de fábrica es el modo AP. Después de encender la máquina, la máquina transmite automáticamente WIFI
- ② Pase el teléfono móvil conectado a la máquina WIFI, el nombre de WIFI es **Sculpfun SF-A9 XXXXX**, la contraseña predeterminada es: **12345678**
- ③ **La dirección IP predeterminada es: 192.168.4.1**. Ingrese la dirección IP predeterminada en la aplicación SculpFun para conectarse a la aplicación.

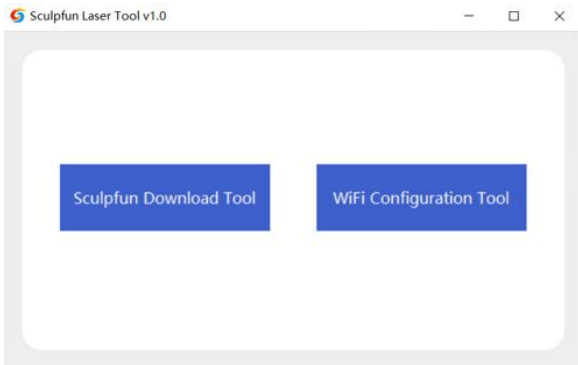


Nota: La interfaz de actualización de software puede cambiar. Escanee el código QR o siga el canal oficial de YOUTUBE para obtener los últimos tutoriales en vídeo detallados sobre su uso. <https://www.youtube.com/@SCULPFUNReal>

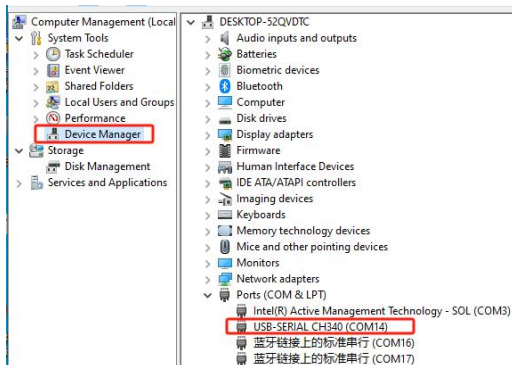


5.2 Método de conexión de la aplicación móvil 2 (Modo WIFI: conectarse al wifi de casa)

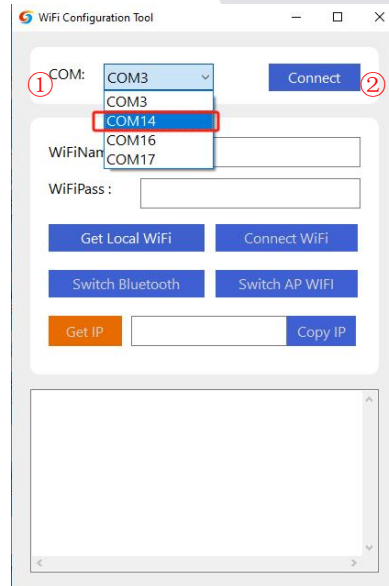
- ① Conecte la máquina con una computadora con cable de datos.
- ② Abra el software de configuración de Sculpfun Laser Tool descargado en su computadora
- ③ Elija la herramienta de configuración WiFi



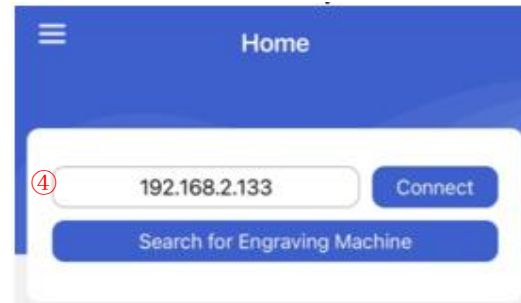
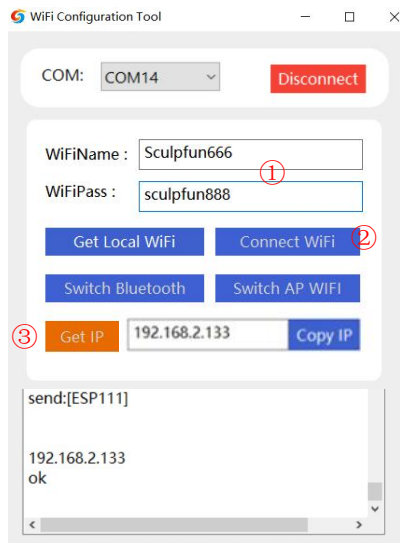
- ① Gestión informática abierta
- ② Verificar el COM correspondiente a CH340



- ① Seleccione el COM de la máquina
- ② Haga clic en Conectar para conectar la máquina



- ① Introduce el nombre y contraseña del WiFi en casa
- ② Haga clic en Conectar WiFi
- ③ Haga clic en Obtener IP para obtener la dirección IP de la máquina actual. En este momento, puede desconectar el cable de datos y transferirlo a la aplicación móvil para su funcionamiento.
- ④ Ingrese la dirección IP obtenida en la aplicación móvil y haga clic en Conectar.

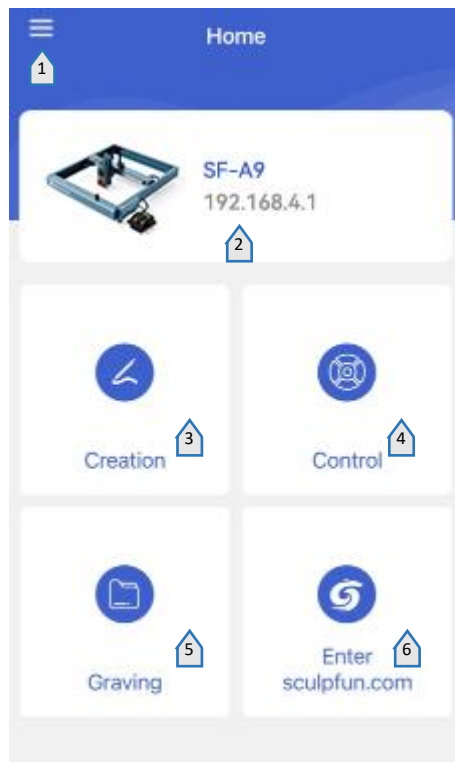
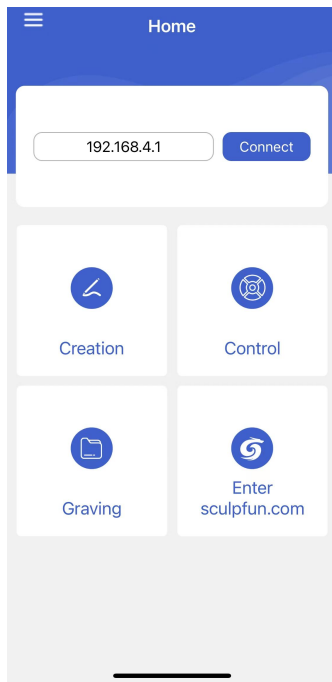


Aviso:

1. La máquina solo admite WiFi de 2,4 Ghz, asegúrese de que el WiFi en casa sea de 2,4 Ghz
2. Para obtener la dirección IP de la máquina, consulte la pantalla del software. La imagen de arriba es solo para referencia.
3. Conéctate al WiFi de casa. La contraseña no admite símbolos especiales. Solo admite inglés o combinaciones numéricas. Si es demasiado complicado, deberás cambiar la contraseña de WiFi.
4. El teléfono móvil debe estar en la misma red WiFi que la máquina.

6、 Introducción a la interfaz de la aplicación

- ① Complete la dirección WiFi de la máquina,
- ② Haga clic en Conectar para conectar la máquina
- ③ Después de conectarse, aparecen la dirección IP y el nombre.



① Configuración

Acuerdo de usuario/Términos de privacidad/Información de versión/Configuración de idioma

② Información de la máquina

Nombre de la máquina/dirección IP

③ Creación

Cámara/Biblioteca de materiales incorporada/Biblioteca de imágenes/Pincel/Código QR/Editar texto

④ Control

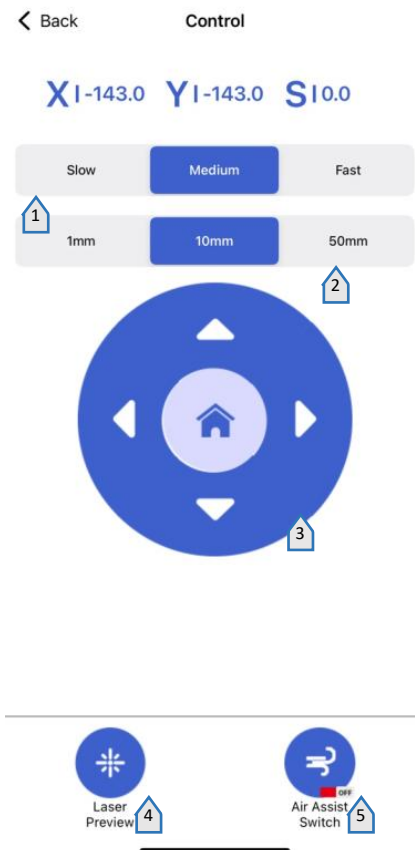
Controlar el movimiento de la máquina de grabado.

⑤ Excavación

Ver archivos cargados en la máquina

⑥ Visite el sitio web oficial

6.1 Introducción a la interfaz de control



① Establecer la velocidad de movimiento del láser

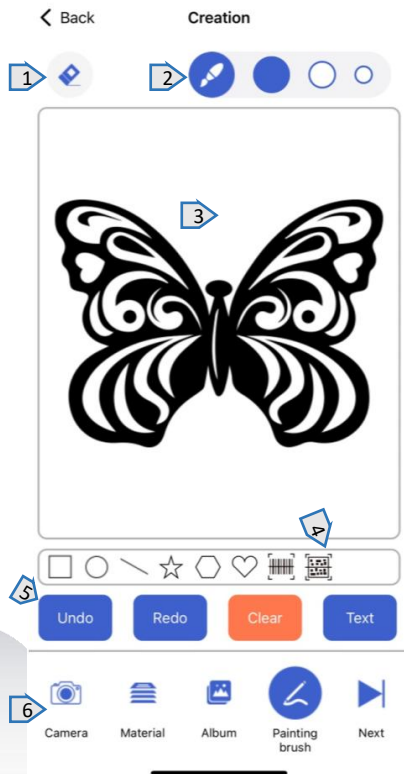
② Establezca la distancia que se mueve el láser con un solo clic

③ Panel de control
El medio se reinicia

④ vista previa láser

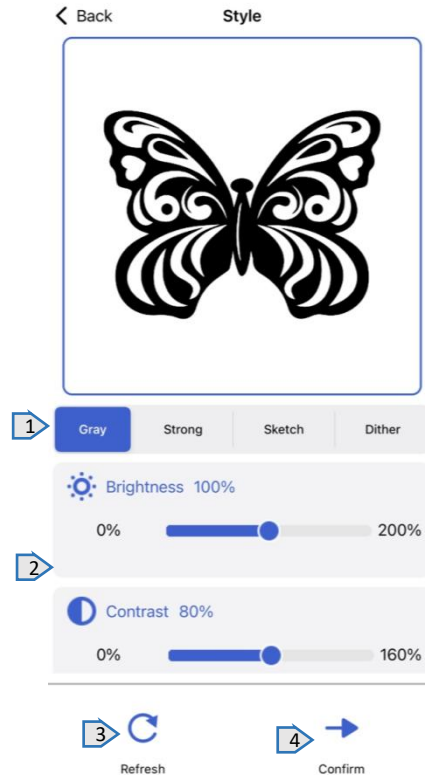
⑤ Asistencia aérea

6.2 Introducción a la interfaz de creación de aplicaciones móviles



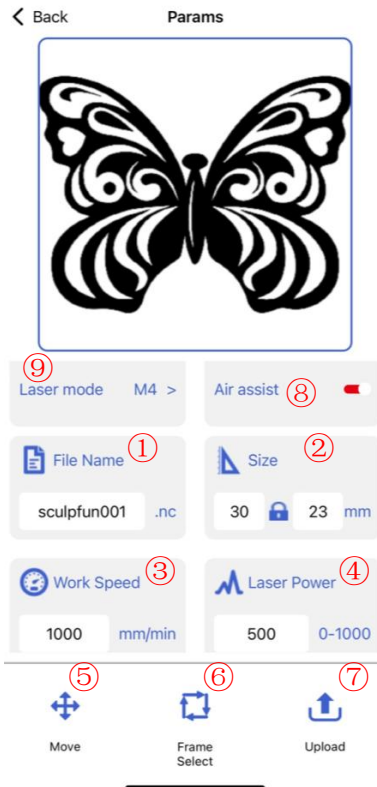
- ① Borrador
- ② Cepillar
- ③ Área de dibujo
- ④ Insertar forma/código QR
- ⑤ Campo de manejo/entrada de texto
- ⑥ Importación de materiales

6.3 Selección del modo de grabado



- ① Selección de modo
- ② Configuración de parámetros de modo correspondiente
- ③ Restablecer parámetros
- ④ Después de seleccionar el modo y los parámetros, seleccione Siguiente para prepararse para el grabado.

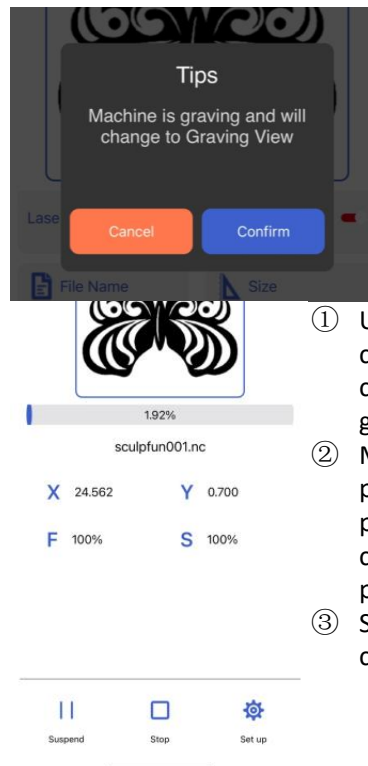
6.4 Configuración de parámetros de grabado



- ① Nombra el nombre del archivo
- ② Ajustar el tamaño del grabado
- ③ Establecer velocidad de grabado
- ④ Establecer potencia de grabado
- ⑤ Mover la posición del láser
- ⑥ Vista previa del grabado
- ⑦ Subir archivo de grabado
- ⑧ interruptor de asistencia de aire
- ⑨ Modo de grabado M3/M4

(M3 potencia constante M4 potencia variable)

6.5 Interfaz de grabado



- ① Una vez completada la carga, la máquina comenzará la tarea de grabado.
- ② Muestra la barra de progreso del grabado y la parte inferior puede controlar la máquina para pausar e iniciar
- ③ Solo espera a que se complete el grabado.

7 Introducción al software para PC



Mac OS: [LightBurn](#)

Linux: [LightBurn](#)

Windows: [LightBurn](#) & [LaserGRBL](#)

LightBurn

<https://lightburnsoftware.com/pages/download-trial>



LaserGRBL

<https://lasergrbl.com/download/>

7.1 Método de conexión a PC 1 Conexión USB

- ① Conecte la máquina a la computadora mediante un cable de datos.
- ② Después de encender, abra LightBurn o LaserGRBL después de seleccionar el puerto de la máquina. Listo para usar



7.2 Método de conexión a PC 2 Conexión Bluetooth

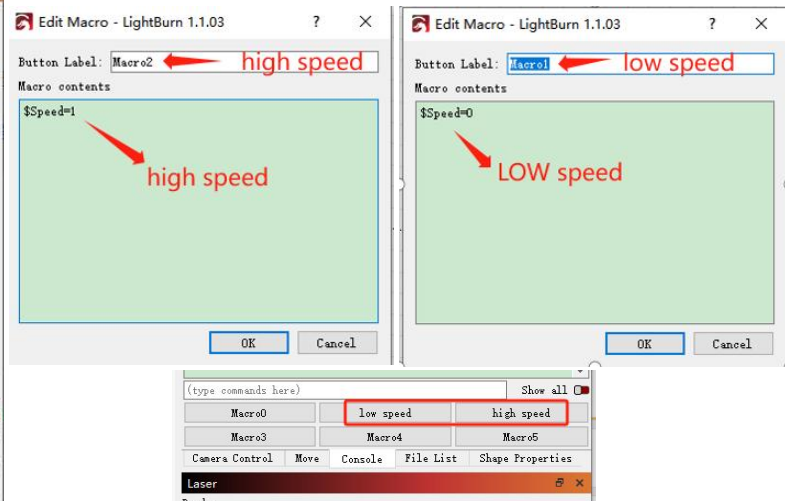
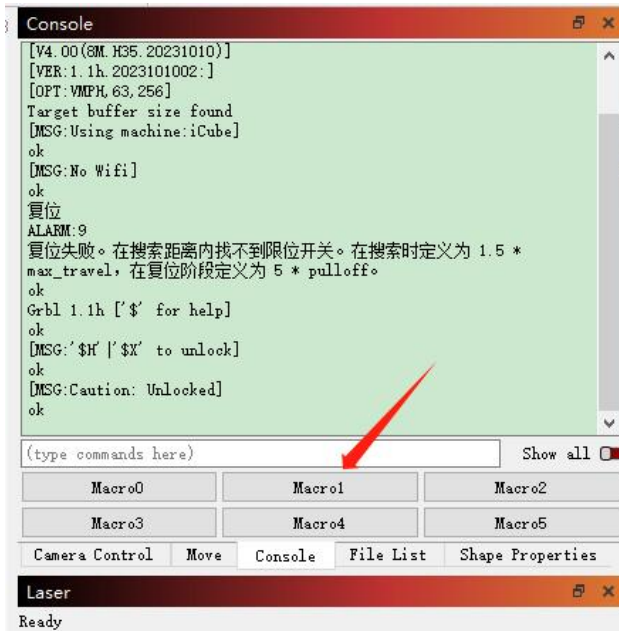
- ① Conecte la máquina a la computadora mediante un cable de datos.
- ② Después de encender la máquina, la computadora abre el software de configuración de la herramienta láser Sculpfun.
- ③ Haga clic en Cambiar Bluetooth para cambiar la máquina al modo Bluetooth. El cuadro de texto mostrará el nombre Bluetooth de la máquina.
- ④ Desenchufe el cable de datos USB, la máquina de conexión Bluetooth de la computadora
- ⑤ Abra [LightBurn](#) o [LaserGRBL](#) y seleccione el puerto Bluetooth correspondiente

The composite image illustrates the Bluetooth connection process. It shows the 'WiFi Configuration Tool' window where the 'Switch Bluetooth' button is highlighted with a red circle and the number 3. To the right, the Windows 'Bluetooth & other devices' settings window shows the 'Sculpfun SF-A9 63714' device listed, also circled in red with the number 4. Below that, the 'Device Manager' window shows the '蓝牙设备上的标准串行 (COM16)' device circled in red with the number 4. At the bottom, a software interface shows the 'Go to Origin' button circled in red with the number 3, and the 'Optimize Cut Path' option checked.

7.3 Cambio de modo de computadora (modo de precisión-modo de alta velocidad)

- ① La máquina está predeterminada en el modo de precisión, que se puede modificar mediante encendido ligero.
- ② Después de abrir Lightburn, configure el botón macro en la consola
- ③ `$$Speed=0(low speed)`、`$$Speed=1(high speed)`
- ④ Posteriormente, puede cambiar con un clic a través del botón Establecer macro.

	X.max mm/min	Y.max mm/min	acceleration
<code>\$\$speed=0</code> (low)	20000	20000	1000
<code>\$\$speed=1</code> (high)	36000	36000	3000



low Más adecuado para cortar
high Más adecuado para grabar y más rápido.

8、 Instrucciones de uso

Gracias por comprar la máquina de grabado láser de nuestra empresa. Este equipo es un producto de alta tecnología que integra luz, maquinaria y electricidad.

Para poder utilizar y mantener mejor este equipo, lea atentamente el manual del usuario y siga los pasos que se indican en él.

¡Declaración importante!

Todas las pérdidas causadas por un uso inadecuado o por no seguir las instrucciones del manual de usuario correrán a cargo del particular. La empresa tiene el derecho final de interpretar este manual y tiene derecho a modificar toda la información, datos, detalles técnicos, etc. de este manual.

Precauciones de seguridad

*Antes de operar el equipo, los usuarios deben leer atentamente el manual de usuario y cumplir estrictamente los procedimientos operativos.

*El procesamiento láser puede implicar riesgos. Los usuarios deben considerar cuidadosamente si el objeto que se está procesando es adecuado para operaciones con láser.

*Los objetos de procesamiento y las emisiones deben cumplir con las leyes y regulaciones locales.

*Este equipo utiliza un láser Clase IV (radiación láser fuerte). Esta radiación láser puede causar las siguientes condiciones:

① Encienda los materiales inflamables circundantes;

② Durante el proceso de procesamiento con láser, se pueden producir otras radiaciones y gases tóxicos y nocivos dependiendo de los objetos a procesar;

③ La irradiación directa de la radiación láser puede causar lesiones humanas. El lugar de uso debe estar equipado con equipo contra incendios. Está prohibido apilar artículos inflamables y explosivos alrededor de la mesa de trabajo y del equipo. Al mismo tiempo, se debe mantener una buena ventilación.

*El ambiente donde se ubica el equipo debe ser seco, libre de contaminación, vibraciones, electricidad fuerte, magnetismo fuerte y otras interferencias e influencias. Temperatura ambiente de trabajo 10-35°C, humedad ambiente de trabajo 5-95% (sin condensación)

¡Aviso!



1. Después de encender el láser, está estrictamente prohibido apuntar a humanos, animales y objetos inflamables para evitar quemaduras en la piel e incendios.

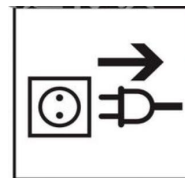


2. El brillo del láser es perjudicial para los ojos. Intente no mirar directamente al láser.



禁止伸入
No reaching in

3. Mantenga las manos alejadas de la máquina cuando esté funcionando para evitar lesiones.



4. Desenchufe la máquina cuando no esté en uso para evitar un mal funcionamiento por parte de terceros.

8.1 Parámetros de materiales recomendados

Parámetros recomendados para el modo de precisión

SF-A9 40W (la potencia del cabezal láser es de aproximadamente 40W)

40W	Material name	power(%)	speed(mm/m)	frequency
corte	6.2mm Papel corrugado	100%	≤2500	1
	2.2mm Cuero artificial	100%	≤1000	1
	8mm MDF	100%	≤250	1
	30mm Paulownia	100%	≤200	2
	3mm tilo	100%	≤1500	1
	20mm tilo	100%	≤150	1
	12mm Acrílico	100%	≤100	2

Nota: Los siguientes parámetros se prueban en un ambiente de laboratorio y son solo como referencia.

Existen diferencias entre los diferentes materiales y los parámetros fluctuarán.

SF-A9 20W (la potencia del cabezal láser es de aproximadamente 20W)

20W	Material name	power(%)	speed(mm/m)	frequency
corte	4mm MDF	100%	≤200	1
	8mm MDF	100%	≤200	3
	10mm Paulownia	100%	≤400	1
	25mm Paulownia	100%	≤200	3
	3mm tilo	100%	≤850	1
	10mm tilo	100%	≤200	1
	20mm tilo	100%	≤200	3

40W	Material name	power(%)	speed(mm/m)	frequency
Escultura	Papel corrugado	15%	6000	1
	Cuero artificial	15%	8000	1
	MDF	20%	6000	1
	Bambú	25%	5000	1
	tilo	30%	6000	1
	metal lacado	30%	5000	1

20W	Material name	power(%)	speed(mm/m)	frequency
Escultura	Papel corrugado	10%	3000	1
	Cuero artificial	10%	5000	1
	MDF	10%	2000	1
	Bamboo	15%	2500	1
	tilo	20%	3000	1
	metal lacado	20%	3000	1

Recomendación de parámetros del modo de alta velocidad

SF-A9 40W (la potencia del cabezal láser es de aproximadamente 40W)

40W	Material name	power(%)	speed(mm/m)	frequency
Escultura	Papel corrugado	55%	36000	1
	Cuero artificial	50%	36000	1
	MDF	75%	36000	1
	Bambú	100%	36000	1
	tilo	100%	36000	1
	metal lacado	60%	36000	1

SF-A9 20W (la potencia del cabezal láser es de aproximadamente 20W)

20W	Material name	power(%)	speed(mm/m)	frequency
Escultura	Papel corrugado	100%	36000	1
	Cuero artificial	70%	36000	1
	MDF	100%	30000	1
	Bambú	100%	15000	1
	tilo	100%	10000	1
	metal lacado	100%	36000	1

Nota: Los siguientes parámetros se prueban en un ambiente de laboratorio y son solo como referencia. Existen diferencias entre los diferentes materiales y los parámetros fluctuarán.

8.2 Problema común

1、 ¿Por qué no gira el ventilador láser?

Cuando el láser deja de funcionar, el ventilador se detendrá automáticamente después de 2 minutos de enfriamiento para evitar ruidos. Después de comenzar a trabajar, girará nuevamente.

2、 ¿Cómo posicionar manualmente el SF-A9?

- ① Coloque la columna de enfoque fijo en el lado derecho del láser y afloje el tornillo de mariposa.
- ② Deslice el láser hacia arriba y hacia abajo para que la columna de enfoque fijo apoye la superficie del objeto a procesar.
- ③ Apriete el tornillo de mariposa y retraiga la columna de enfoque fijo.
- ④ Al cortar objetos gruesos, una vez completado el enfoque, puede utilizar la perilla del eje Z posterior para observar la escala izquierda y bajarla entre 1 y 3 mm para mejorar el efecto de corte.

3、 No hay respuesta al conectarse a la aplicación móvil.

Hay dos formas de conectar la aplicación, modo wifi AP y modo wifi

- ① En el modo wifi AP, la máquina iniciará wifi automáticamente, el nombre es Sculpfun SF-A9 XXXXX, la contraseña predeterminada es 12345678, abra la APLICACIÓN después de conectarse, la dirección IP predeterminada es 192.168.4.1.
- ② En modo wifi, necesita utilizar herramientas informáticas para conectarse a wifi. Tenga en cuenta que solo se puede conectar a wifi de 2,4 Ghz y no admite símbolos especiales. Si no se puede utilizar normalmente, puede ponerse en contacto con nuestro servicio de atención al cliente y enviar una captura de pantalla de la configuración del teléfono móvil para recibir soporte técnico rápido.

4、 ¿Cómo se debe mantener la máquina y con qué frecuencia?

Las guías lineales X deben recubrirse periódicamente con aceite lubricante o grasa para evitar la oxidación.

Ciclo de mantenimiento: Usuarios frecuentes, definido como el uso de la máquina más de 8 horas al día. Se requiere mantenimiento al menos cada 15 días.

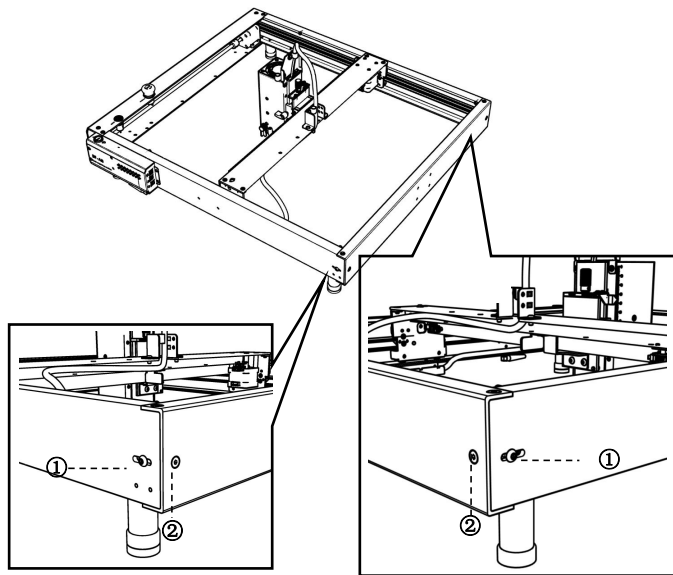
Los usuarios ligeros se definen como aquellos que utilizan la máquina durante no más de 2 horas al día. Requiere mantenimiento al menos cada 2 meses. Durante el ciclo de mantenimiento, si aparece suciedad e impurezas, es necesario limpiar inmediatamente la superficie del riel guía y aplicar grasa después de asegurarse de que esté limpia.

5、 El círculo tallado está deformado, lo redondo no es redondo, el cuadrado no es cuadrado

Motivo: Tal vez el cinturón esté demasiado apretado

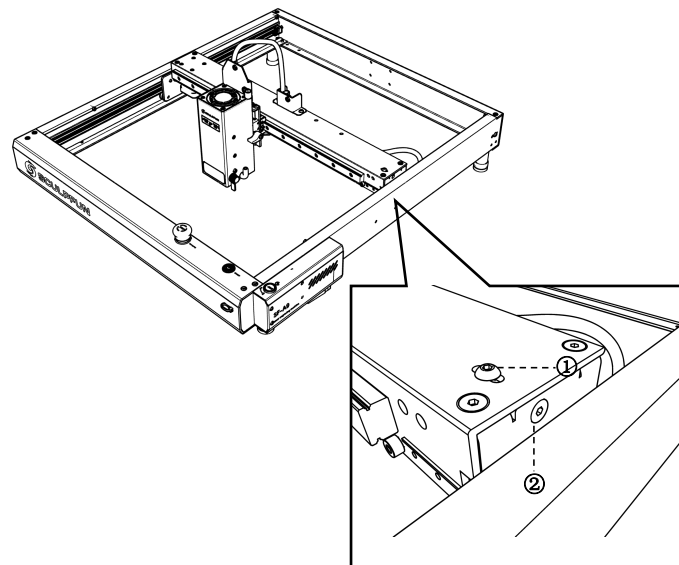
Paso: compruebe el cinturón. Utilice sus dedos para sujetar las partes superior e inferior del cinturón al mismo tiempo para sentir la tensión. Si está demasiado flojo o demasiado apretado. Consulte la siguiente pregunta para ajustar la tensión.

6、Cómo ajustar la tensión del cinturón



Ajuste las cintas transportadoras en los guardabarros izquierdo y derecho.

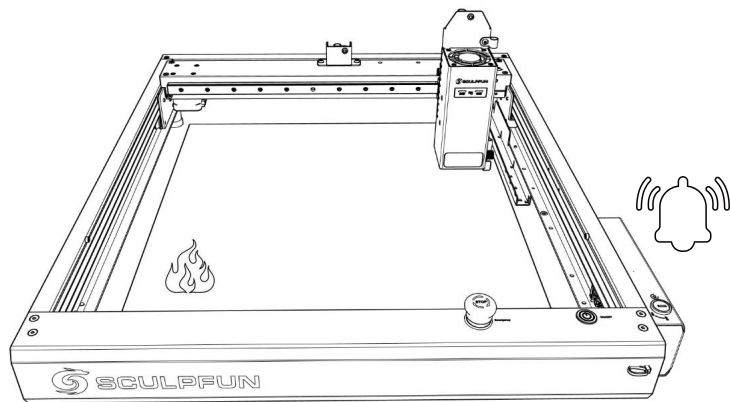
- (1) Primero afloje el tornillo 1 y luego ajuste el tornillo 2.
- (2) Al ajustar el tornillo 2, apriételo en el sentido de las agujas del reloj; aflójele en sentido antihorario.
- (3) La tensión de las cintas transportadoras en los deflectores izquierdo y derecho debe ser constante; de lo contrario, afectará el efecto de grabado.
- (4) Después de ajustar la estanqueidad, apriete el tornillo 1.



Ajuste de la cinta transportadora en la placa central

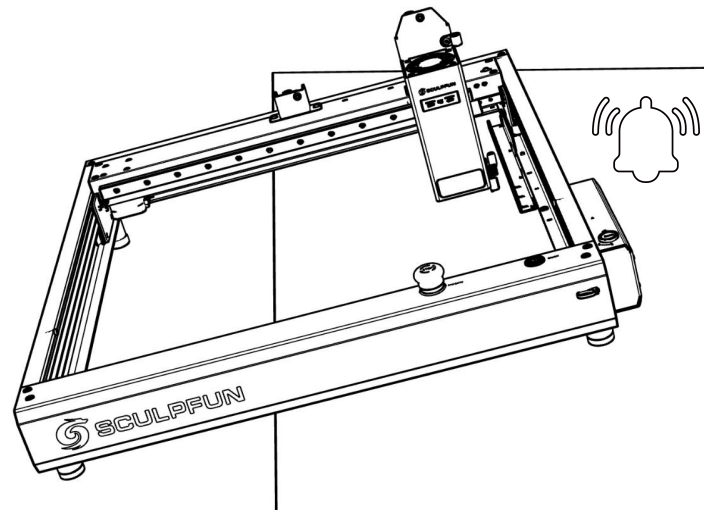
- (1) Primero afloje el tornillo 1 y luego ajuste el tornillo 2.
- (2) Al ajustar el tornillo 2, apriételo en el sentido de las agujas del reloj; aflójele en sentido antihorario.
- (3) Después de ajustar la estanqueidad, apriete el tornillo 1

7、Instrucciones de alarma de llama



- (1) Hay un sensor de llama incorporado + un sensor de temperatura debajo del láser.
- (2) Después de detectar la llama, la máquina calculará automáticamente la distancia más segura. Después de que el cabezal láser se mueva a una posición segura, dejará de funcionar y emitirá una alarma para evitar peligros.
- (3) El sonido de la alarma no se detendrá automáticamente y la máquina deberá reiniciarse manualmente.

8、Descripción de la alarma de inclinación



- (1) La máquina tiene un sensor de inclinación incorporado
- (2) Cuando la mesa sobre la que está colocada la máquina se inclina y el ángulo supera los 15°, dejará de funcionar y emitirá una alarma para evitar peligros.
- (3) El sonido de la alarma no se detendrá automáticamente y la máquina deberá reiniciarse manualmente.

9、Si los pasos anteriores no los puede resolver usted mismo o tiene otras preguntas.

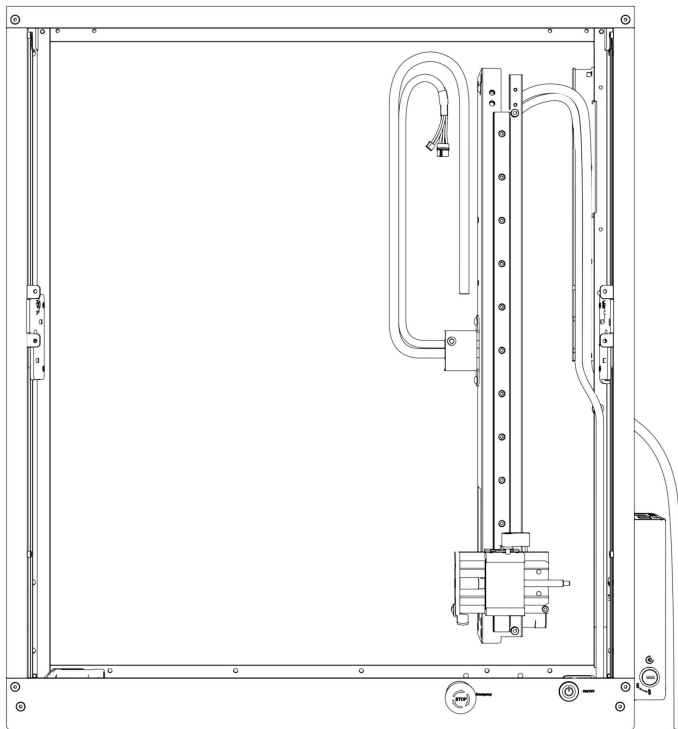
Puede enviar el video de falla, la máquina y otra información al correo electrónico oficial de posventa de SculpFun (support@sculpfun.com). El personal de posventa lo manejará por usted.



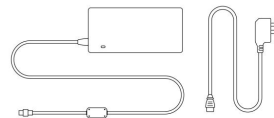
ZAWARTOŚĆ

1. Lista produktów	1
2. Poznaj SF-A9	3
3. Montaż SF-A9	5
4. Skupienie	7
5. Pobieranie i połączenie aplikacji	8
6. Wprowadzenie do interfejsu aplikacji	11
7. Połączenie z komputerem	15
8. Instrukcja obsługi	17

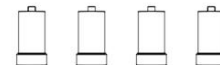
1. Lista produktów



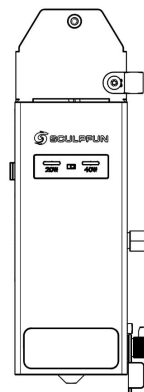
1 x Gospodarz



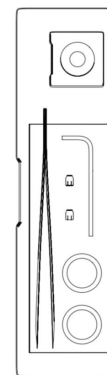
1 x zasilacz



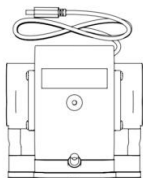
4 x Podstawa



1 x 40W Głowica laserowa



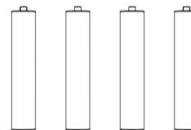
1 x zestaw do naprawy obiektywu



1 x Pompa powietrza



1 x Okulary ochronne



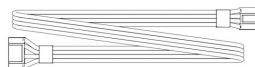
4 x Rozwiń bazę



1 x antena



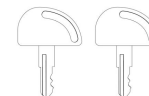
1 x kabel do transmisji danych



1 x przewód silnika (dla osi obrotowej)



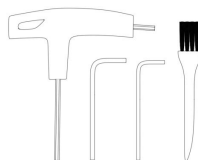
5 x krawaty



2 x klucz



4 x śruba



1 x zestaw narzędzi

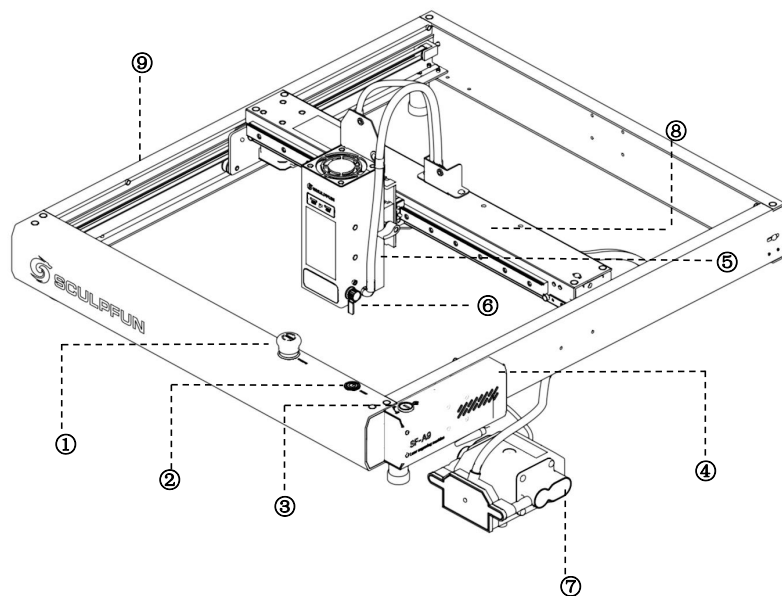


1 x płyta aluminiowa



2 x deska lipowa

2. Poznaj SF-A9



① Pokrętko zatrzymania awaryjnego

② Przycisk przełączania

③ Stacyjka

④ Pudełko na płytę główną

⑤ Laser

⑥ Kolumna ze stałym skupieniem

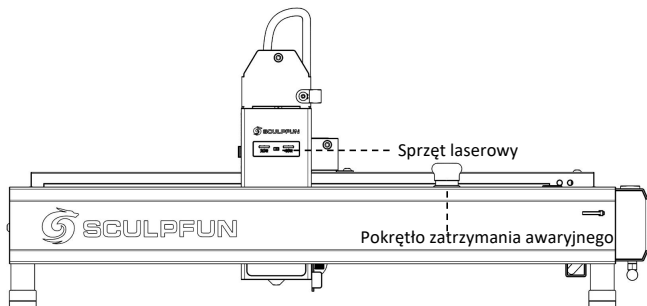
⑦ Pompa powietrza

⑧ Oś X

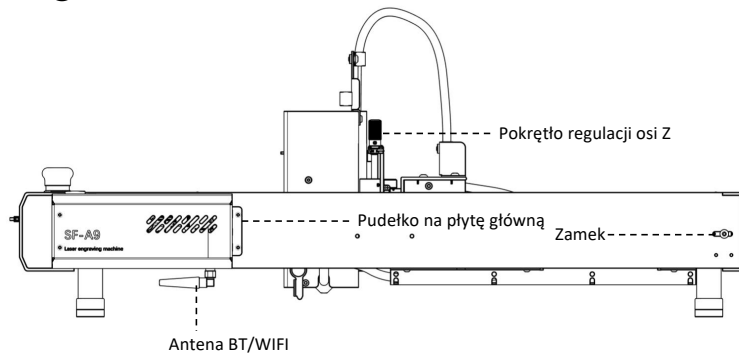
⑨ Oś Y

2.1 Schemat struktury

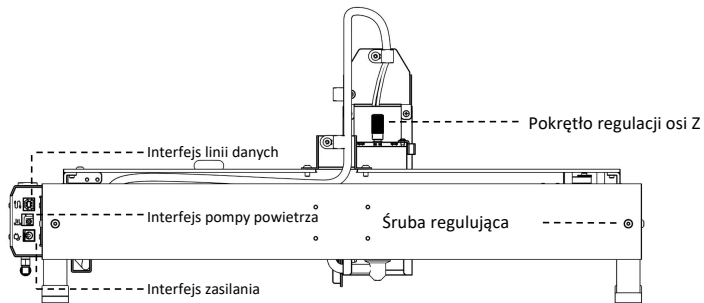
① Widok z przodu



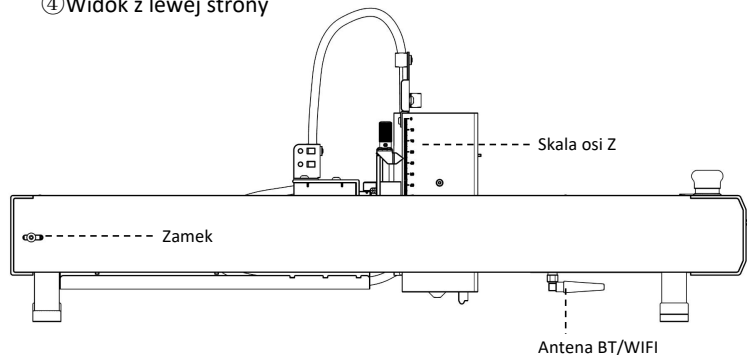
② Prawe wzniesienie



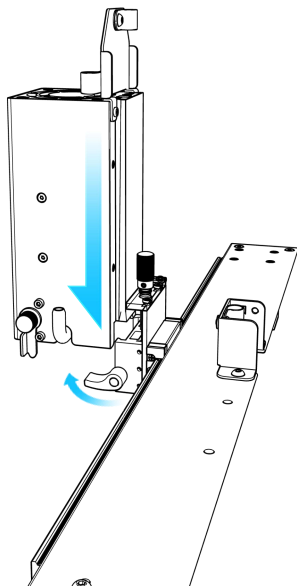
③ Widok z tyłu



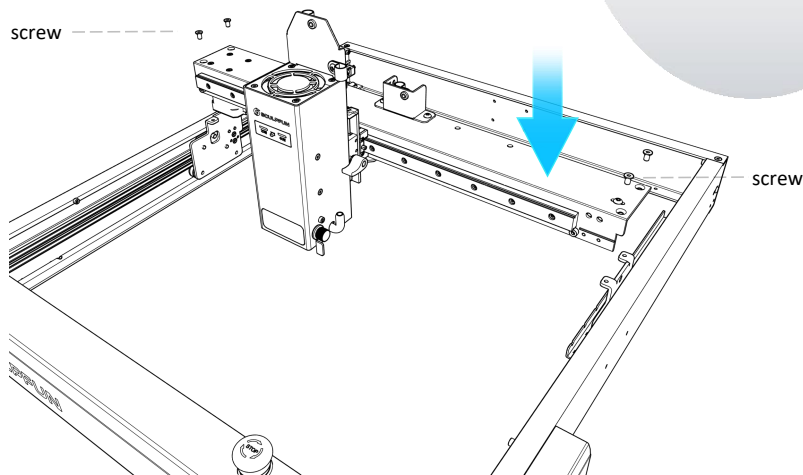
④ Widok z lewej strony



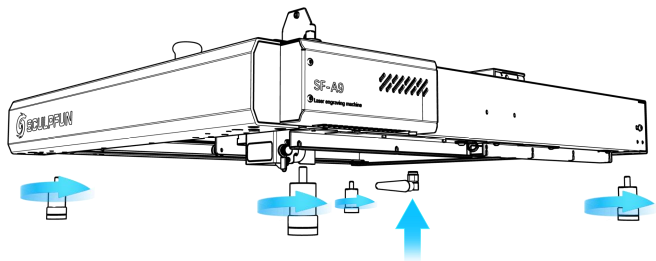
3. Montaż SF-A9



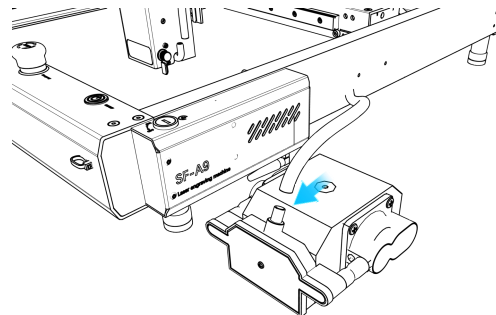
① Po otwarciu opakowania najpierw zamontuj głowicę laserową na osi X i dokręć śruby skrzydełkowe.



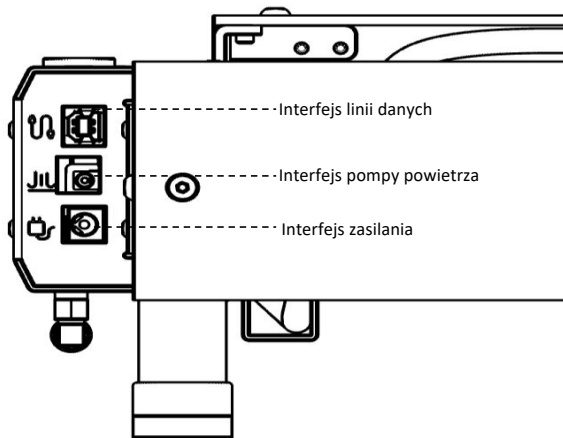
② Po wyjęciu osi X z zainstalowaną głowicą laserową i ramą główną, umieść oś X na ramie głównej i dokręć cztery śruby, aby zamocować oś X.



③ Zamontuj cztery nóżki i antenę BT/WiFi

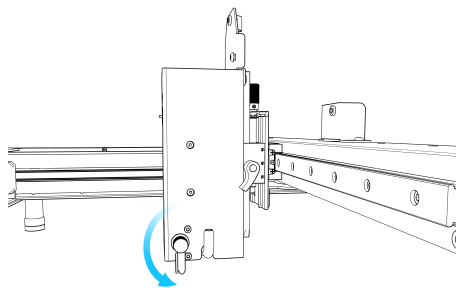


④ Podłącz rurę powietrzną maszyny do pompy powietrza

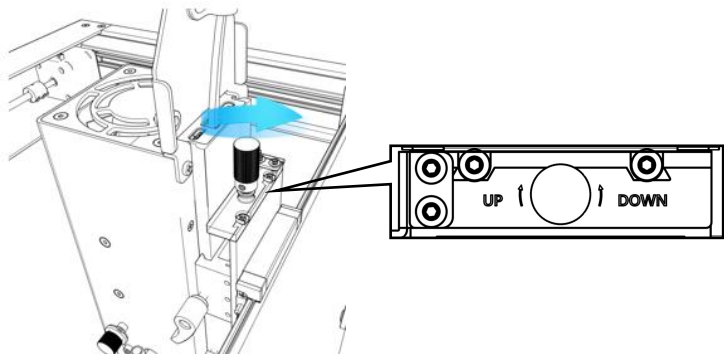


- ⑤
1. Podłącz interfejs danych do komputera
 2. Podłącz przewód zasilający pompy powietrza do interfejsu pompy powietrza.
 3. Podłącz zasilanie maszyny
 4. Możesz włączyć maszynę i z niej korzystać

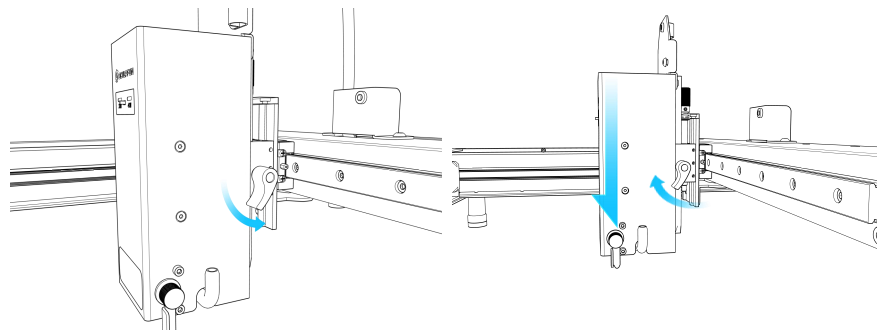
4, Ostrość (szybka i precyzyjna ostrość)



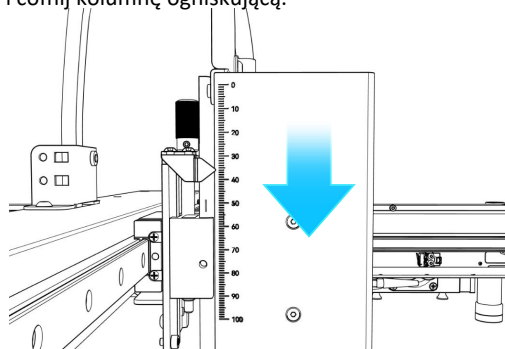
- ① Odłóż kolumnę ogniskującą po prawej stronie głowicy laserowej



- ③ **Precyzyjne ustawianie ostrości:** Podczas cięcia grubych obiektów, po zakończeniu szybkiego ustawiania ostrości, obróć precyzyjne ustawienie ostrości w dół o 1-3 mm, aby poprawić efekt cięcia.



- ② **Szybkie ustawianie ostrości:** Obróć prawą śrubę, aby przesunąć kolumnę ogniskującą na powierzchnię grawerowanego obiektu, dokręć śrubę i cofnij kolumnę ogniskującą.



- ④ Możesz dokładnie kontrolować wysokość, obserwując skalę po lewej stronie. Rzeźbienie obiektów o różnej wysokości wymaga ponownego ustawienia ostrości, aby zapewnić efekt pracy.

5. Pobieranie oprogramowania aplikacji

- ① Komputer wchodzi na oficjalną stronę internetową w celu pobrania **Sculpfun Laser Tool (MAC & WIN)**
- ② Wyszukaj sculpfun w Google Store lub Apple Store na swoim telefonie komórkowym lub zeskanuj poniższy kod QR.



Android



IOS

PC Tool
(MAC or WIN)

Notatka:

1. Android musi używać przeglądarki, aby zeskanować kod QR i pobrać.
2. Po udanej instalacji musisz nadać odpowiednie uprawnienia
3. Jeśli nie ma sklepu Google Store, możesz zeskanować narzędzie PC TOOL i wejść na oficjalną stronę internetową, aby pobrać wersję instalacyjną APK.

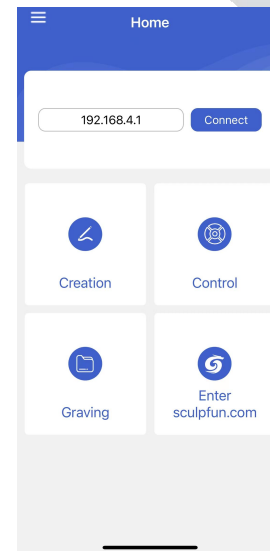
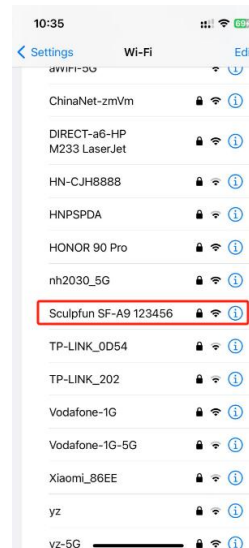


Uwaga: interfejs aktualizacji oprogramowania może ulec zmianie. Zeskanuj kod QR lub śledź oficjalny kanał YOUTUBE, aby uzyskać najnowsze szczegółowe samouczki wideo dotyczące użytkowania. <https://www.youtube.com/@SCULPFUNReal>



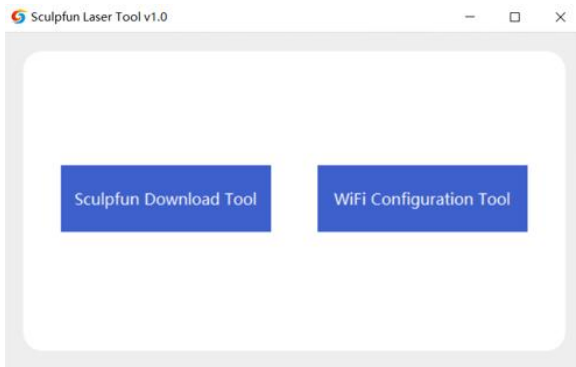
5.1 Metoda połączenia aplikacji mobilnej 1 (AP WIFI)

- ① Domyślnym ustawieniem fabrycznym jest tryb AP. Po włączeniu urządzenia, urządzenie automatycznie przesyła sygnał WIFI
- ② Podaj telefon komórkowy podłączony do urządzenia WIFI, nazwa WIFI to **Sculpfun SF-A9 XXXXX**, domyślne hasło to: **12345678**
- ③ **Domyślny adres IP to: 192.168.4.1**. Wprowadź domyślny adres IP w aplikacji SculpFun, aby połączyć się z aplikacją

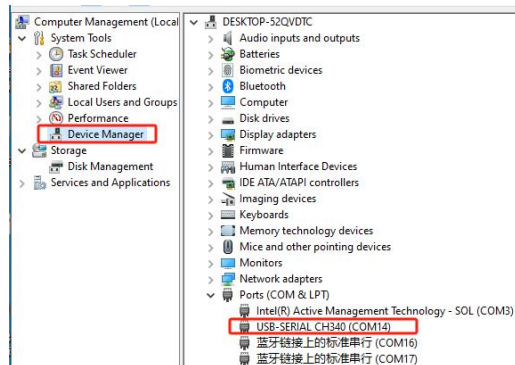


5.2 Metoda połączenia z aplikacją mobilną 2 (Tryb WIFI: połącz się z domowym Wi-Fi)

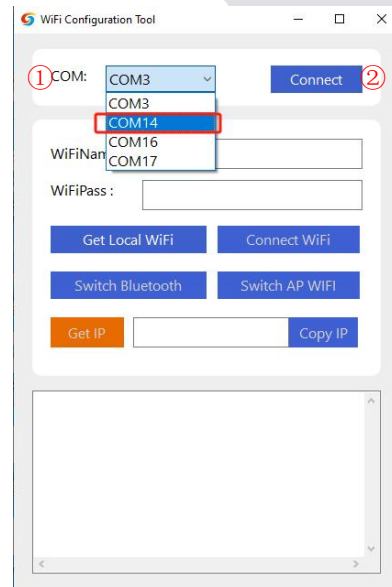
- ① Podłącz urządzenie do komputera za pomocą kabla do transmisji danych
- ② Otwórz pobrane oprogramowanie konfiguracyjne Sculpfun Laser Tool na swoim komputerze
- ③ Wybierz Narzędzie konfiguracji Wi-Fi



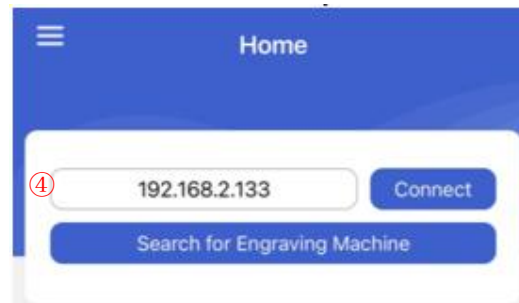
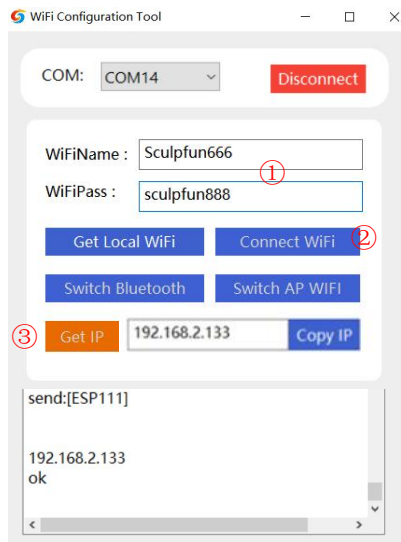
- ① Otwórz zarządzanie komputerem
- ② Sprawdź COM odpowiadający CH340



- ① Wybierz COM urządzenia
- ② Kliknij Połącz, aby podłączyć urządzenie



- 1 Wprowadź nazwę i hasło WIFI w domu
- 2 Kliknij Połącz Wi-Fi
- 3 Kliknij opcję Uzyskaj adres IP, aby uzyskać adres IP bieżącego komputera. W tym momencie możesz odłączyć kabel do transmisji danych i przenieść go do aplikacji mobilnej w celu obsługi.
- 4 Uzyskany adres IP wprowadź do aplikacji mobilnej i kliknij Połącz.

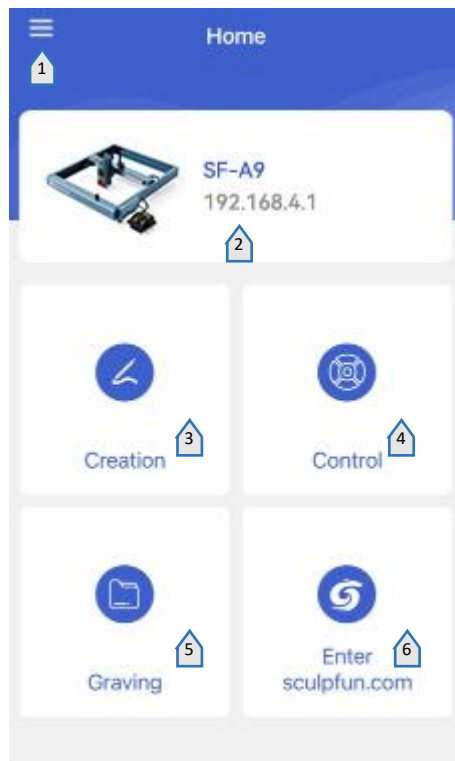
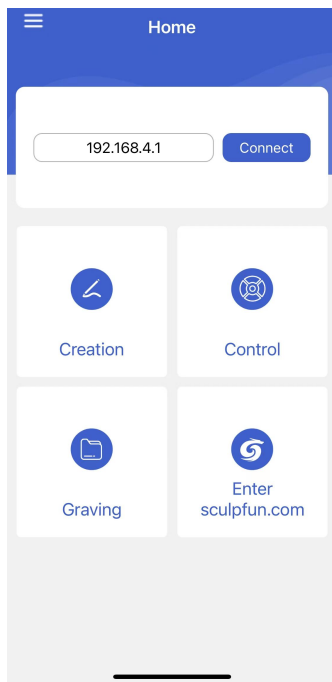


Ogłoszenie:

1. Urządzenie obsługuje tylko Wi-Fi 2,4 GHz. Upewnij się, że Wi-Fi w domu ma częstotliwość 2,4 GHz
2. Aby uzyskać adres IP urządzenia, zapoznaj się z wyświetlaczem oprogramowania. Powyższe zdjęcie ma charakter wyłącznie poglądowy.
3. Połącz się z Wi-Fi w domu. Hasło nie obsługuje symboli specjalnych. Obsługuje tylko kombinacje angielskie lub numeryczne. Jeśli jest to zbyt skomplikowane, musisz zmienić hasło Wi-Fi.
4. Telefon komórkowy musi znajdować się w tej samej sieci Wi-Fi co urządzenie.

6. Wprowadzenie do interfejsu aplikacji

- ① Wpisz adres WiFi urządzenia,
- ② Kliknij Połącz, aby podłączyć urządzenie
- ③ Po połączeniu pojawi się adres IP i nazwa.



① Organizować coś

Umowa użytkownika/Warunki ochrony prywatności/Informacje o wersji/Ustawienia języka

② Informacje o maszynie

Nazwa komputera/adres IP

③ kreacja

Aparat/wbudowana biblioteka materiałów/biblioteka obrazów/pędzel/kod QR/edytuj tekst

④ Kontrola

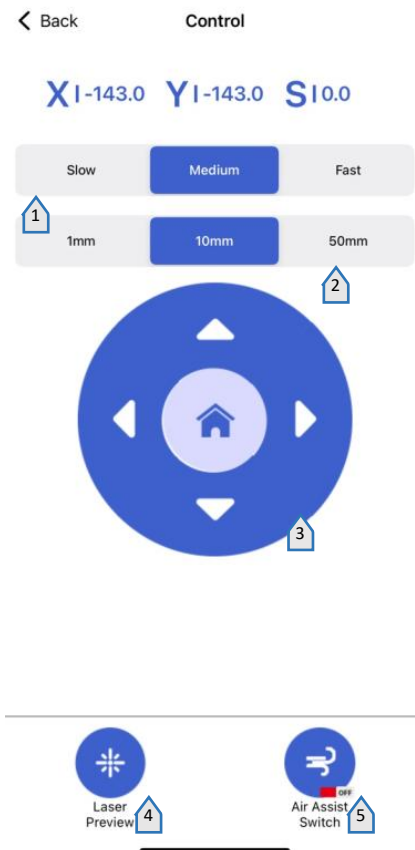
Kontroluj ruch maszyny grawerującej

⑤ Kopanie

Wyświetl pliki przesłane na maszynę

⑥ Odwiedź oficjalną stronę internetową

6.1 Wprowadzenie do interfejsu sterującego



① Ustaw prędkość poruszania się lasera

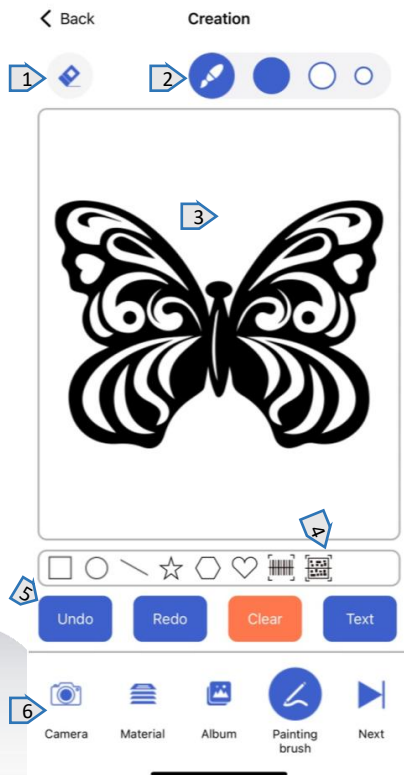
② Ustaw odległość, na jaką porusza się laser jednym kliknięciem

③ Panel sterowania
Środek jest resetowany

④ podgląd lasera

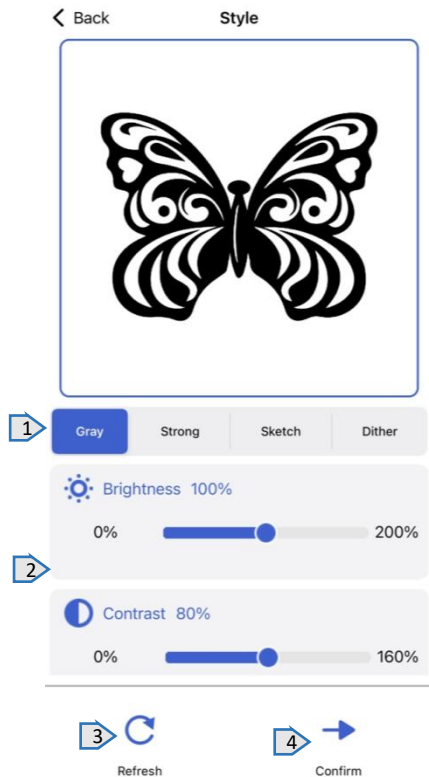
⑤ Wspomaganie powietrzne

6.2 Wprowadzenie do interfejsu tworzenia aplikacji mobilnych



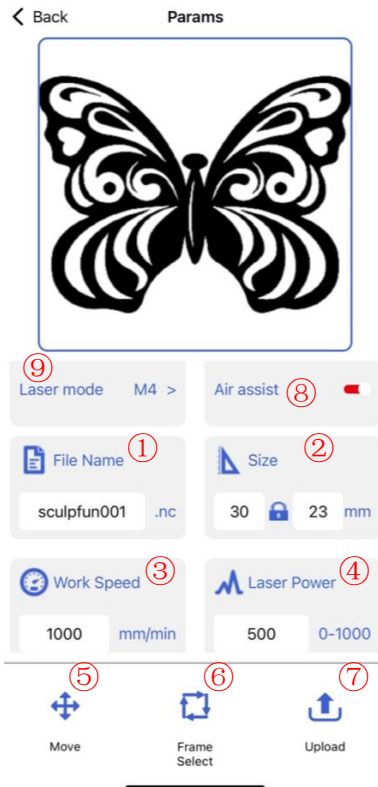
- ① gumka do mazania
- ② Szczotka
- ③ Obszar rysowania
- ④ Wstaw kształt/kod QR
- ⑤ Obszar operacyjny/wprowadzanie tekstu
- ⑥ Import materiałów

6.3 Wybór trybu grawerowania



- ① Wybór trybu
- ② Odpowiednie ustawienia parametrów trybu
- ③ Zresetuj parametry trybu
- ④ Po wybraniu trybu i parametrów należy wybrać Dalej, aby przygotować się do grawerowania.

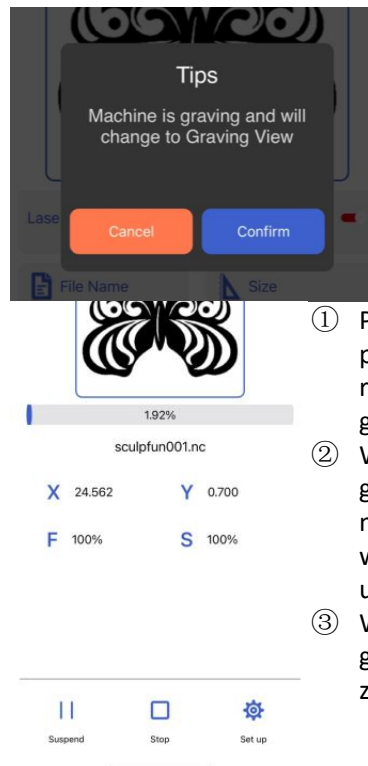
6.4 Ustawienia parametrów grawerowania



- ① Nazwij nazwę pliku
- ② Dostosuj rozmiar graweru
- ③ Ustaw prędkość grawerowania
- ④ Ustaw moc grawerowania
- ⑤ Przesuń pozycję lasera
- ⑥ Podgląd grawerowania
- ⑦ Prześlij plik do grawerowania
- ⑧ przełącznik wspomagania powietrza
- ⑨ Tryb grawerowania M3/M4

(M3 stała moc M4 zmienna moc)

6.5 Interfejs do grawerowania



- ① Po zakończeniu przesyłania maszyna rozpocznie zadanie grawerowania
- ② Wyświetla pasek postępu grawerowania, a na dole można sterować maszyną w celu wstrzymania i uruchomienia
- ③ Wystarczy poczekać, aż grawerowanie się zakończy

7 Wprowadzenie do oprogramowania komputerowego



Mac OS: LightBurn

Linux: LightBurn

Windows: LightBurn & LaserGRBL

LightBurn

<https://lightburnsoftware.com/pages/download-trial>

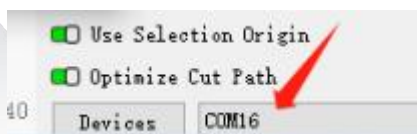


LaserGRBL

<https://lasergrbl.com/download/>

7.1 Metoda połączenia z komputerem 1 Połączenie USB

- ① Podłącz urządzenie do komputera za pomocą kabla do transmisji danych
- ② Po włączeniu otwórz LightBurn lub LaserGRBL po wybraniu portu urządzenia. Gotowy do użycia



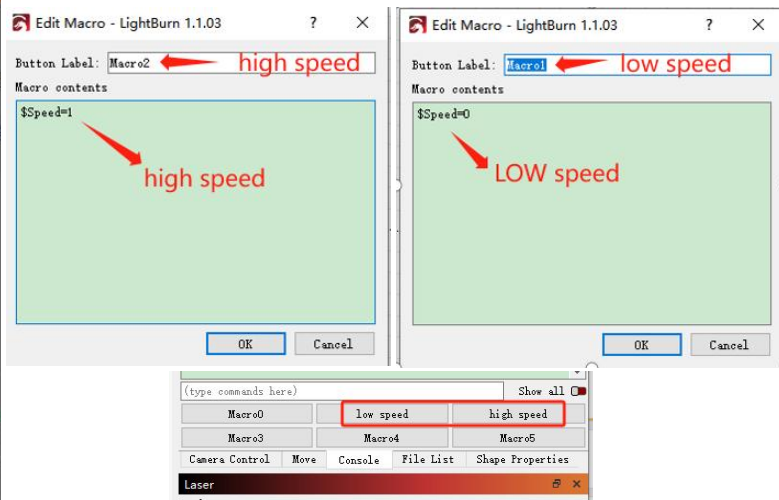
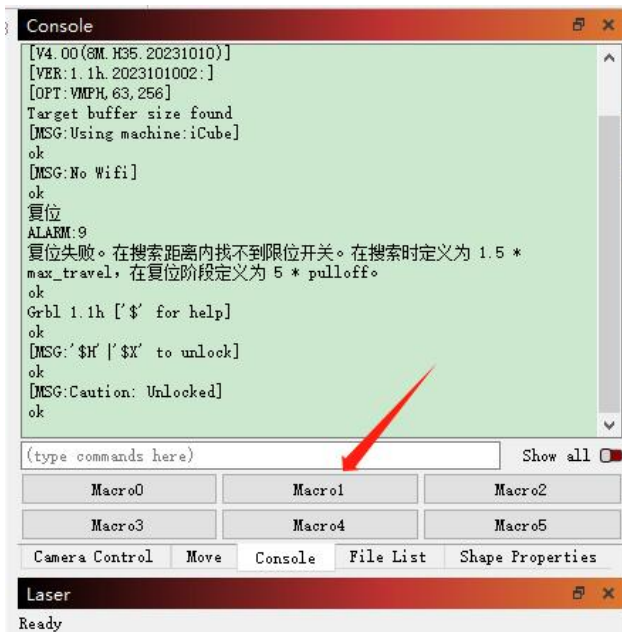
7.2 Metoda połączenia z komputerem 2 Połączenie Bluetooth

- ① Podłącz urządzenie do komputera za pomocą kabla do transmisji danych
- ② Po włączeniu urządzenia na komputerze zostanie otwarte oprogramowanie konfiguracyjne Sculpfun Laser Tool
- ③ Kliknij opcję Przełącz Bluetooth, aby przełączyć urządzenie w tryb Bluetooth. W polu tekstowym zostanie wyświetlona nazwa Bluetooth urządzenia.
- ④ Odłącz kabel danych USB, urządzenie łączące się z komputerem Bluetooth
- ⑤ Otwórz LightBurn lub LaserGRBL i wybierz odpowiedni port Bluetooth

7.3 Przełączanie trybu komputera (tryb precyzyjny – tryb szybki)

- ① Urządzenie domyślnie pracuje w trybie precyzyjnym, który można zmodyfikować poprzez przepalenie światłem
- ② Po otwarciu Lightburn ustaw przycisk makro w konsoli
- ③ `$$Speed=0(low speed)`、`$$Speed=1(high speed)`
- ④ Następnie możesz przełączać jednym kliknięciem za pomocą przycisku ustawiania makro.

	X.max mm/min	Y.max mm/min	acceleration
<code>\$\$speed=0 (low)</code>	20000	20000	1000
<code>\$\$speed=1 (high)</code>	36000	36000	3000



low Bardziej nadaje się do cięcia
high Bardziej nadaje się do grawerowania i jest szybszy

8. Instrukcja użytkowania

Dziękujemy za zakup maszyny do grawerowania laserowego naszej firmy. Sprzęt ten jest produktem high-tech, który integruje światło, maszyny i energię elektryczną.

Aby móc lepiej używać i konserwować ten sprzęt, prosimy o uważne przeczytanie instrukcji obsługi i przestrzeganie zawartych w niej kroków.

Ważne oświadczenie!

Wszelkie straty spowodowane niewłaściwym użytkowaniem lub nieprzestrzeganiem instrukcji zawartych w instrukcji obsługi ponosi osoba fizyczna. Firma ma ostateczne prawo do interpretacji niniejszej instrukcji i ma prawo do modyfikowania wszystkich informacji, danych, szczegółów technicznych itp. zawartych w tej instrukcji.

Środki ostrożności

- *Przed przystąpieniem do obsługi urządzenia użytkownicy muszą uważnie przeczytać instrukcję obsługi i ściśle przestrzegać procedur obsługi.
- *Obróbka laserowa może wiązać się z ryzykiem. Użytkownicy powinni dokładnie rozważyć, czy obrabiany przedmiot nadaje się do operacji laserowych.
- *Przedmioty przetwarzania i emisje powinny być zgodne z lokalnymi przepisami i regulacjami.
- *W tym urządzeniu zastosowano laser klasy IV (silne promieniowanie laserowe). To promieniowanie laserowe może powodować następujące stany:
 - ① Zapalić otaczające materiały łatwopalne;
 - ② Podczas procesu obróbki laserowej może powstać inne promieniowanie oraz toksyczne i szkodliwe gazy, w zależności od obrabianych obiektów;
 - ③ Bezpośrednie napromieniowanie promieniowaniem laserowym może spowodować obrażenia ciała. Miejsce stosowania musi być wyposażone w sprzęt przeciwpożarowy. Zabrania się układania przedmiotów łatwopalnych i wybuchowych wokół stołu warsztatowego i sprzętu. Jednocześnie należy zachować dobrą wentylację.
- *Środowisko, w którym znajduje się sprzęt, powinno być suche, wolne od zanieczyszczeń, wibracji, silnej elektryczności, silnego magnetyzmu i innych zakłóceń i wpływów. Temperatura środowiska pracy 10-35°C, wilgotność środowiska pracy 5-95% (bez kondensacji)

Ogłoszenie!



1. Po włączeniu lasera surowo zabrania się kierowania go na ludzi, zwierzęta i przedmioty łatwopalne, aby uniknąć oparzeń i pożarów skóry.

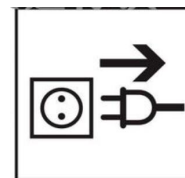


2. Jasność lasera jest szkodliwa dla oczu. Staraj się nie patrzeć bezpośrednio na laser.



禁止伸入
No reaching in

3. Trzymaj ręce z dala od maszyny, gdy maszyna pracuje, aby uniknąć obrażeń.



4. Odłącz urządzenie, gdy nie jest używane, aby uniknąć nieprawidłowej obsługi przez osoby trzecie.

8.1 Zalecane parametry materiałowe

Zalecane parametry dla trybu precyzyjnego

SF-A9 40W (moc głowicy laserowej to około 40W)

40W	Material name	power(%)	speed(mm/m)	frequency
ciąć	6.2mm Papier falisty	100%	≤2500	1
	2.2mm Sztuczna skóra	100%	≤1000	1
	8mm MDF	100%	≤250	1
	30mm Paulownia	100%	≤200	2
	3mmDrewno lipowe	100%	≤1500	1
	20mmDrewno lipowe	100%	≤150	1
	12mm Acrylic	100%	≤100	2

Uwaga: Poniższe parametry są testowane w środowisku laboratoryjnym i służą wyłącznie celom informacyjnym.

Istnieją różnice między różnymi materiałami, a parametry będą się zmieniać.

SF-A9 20W (moc głowicy laserowej to około 20W)

20W	Material name	power(%)	speed(mm/m)	frequency
ciąć	4mm MDF	100%	≤200	1
	8mm MDF	100%	≤200	3
	10mm Paulownia	100%	≤400	1
	25mm Paulownia	100%	≤200	3
	3mmDrewno lipowe	100%	≤850	1
	10mmDrewno lipowe	100%	≤200	1
	20mmDrewno lipowe	100%	≤200	3

40W	Material name	power(%)	speed(mm/m)	frequency
Rzeźba	Papier falisty	15%	6000	1
	Sztuczna skóra	15%	8000	1
	MDF	20%	6000	1
	Bambus	25%	5000	1
	Drewno lipowe	30%	6000	1
	lakierowanego metalu	30%	5000	1

20W	Material name	power(%)	speed(mm/m)	frequency
Rzeźba	Papier falisty	10%	3000	1
	Sztuczna skóra	10%	5000	1
	MDF	10%	2000	1
	Bambus	15%	2500	1
	Drewno lipowe	20%	3000	1
	lakierowanego metalu	20%	3000	1

Zalecenia dotyczące parametrów trybu wysokiej prędkości

SF-A9 40W (moc głowicy laserowej to około 40W)

40W	Material name	power(%)	speed(mm/m)	frequency
Sculpture	Papier falisty	55%	36000	1
	Sztuczna skóra	50%	36000	1
	MDF	75%	36000	1
	Bambus	100%	36000	1
	Drewno lipowe	100%	36000	1
	lakierowanego metalu	60%	36000	1

SF-A9 20W (moc głowicy laserowej to około 20W)

20W	Material name	power(%)	speed(mm/m)	frequency
Sculpture	Papier falisty	100%	36000	1
	Sztuczna skóra	70%	36000	1
	MDF	100%	30000	1
	Bambus	100%	15000	1
	Drewno lipowe	100%	10000	1
	lakierowanego metalu	100%	36000	1

Uwaga: Poniższe parametry są testowane w środowisku laboratoryjnym i służą wyłącznie celom informacyjnym. Istnieją różnice między różnymi materiałami, a parametry będą się zmieniać.

8.2 Typowy problem

1、 Dlaczego wentylator lasera nie obraca się?

Gdy laser przestanie działać, wentylator zatrzyma się automatycznie po 2 minutach chłodzenia, aby uniknąć hałasu.

Po rozpoczęciu pracy ponownie się obróci

2、 Jak ręcznie ustawić SF-A9

- ① Odłóż kolumnę stałego ogniskowania po prawej stronie lasera i poluzuj śrubę skrzydełkową.
- ② Przesuwaj laser w górę i w dół, tak aby kolumna o stałym ogniskowaniu opierała się o powierzchnię obrabianego przedmiotu.
- ③ Dokręć śrubę skrzydełkową i cofnij kolumnę o stałym ogniskowaniu.
- ④ Podczas cięcia grubych obiektów, po zakończeniu ustawiania ostrości, można za pomocą tylnego pokrętkła osi Z obserwować lewą skalę i obniżyć ją o 1-3mm, aby poprawić efekt cięcia.

3、 Brak odpowiedzi podczas łączenia się z aplikacją mobilną

Istnieją dwa sposoby podłączenia aplikacji: tryb Wi-Fi AP i tryb Wi-Fi

- ① W trybie AP Wi-Fi urządzenie automatycznie uruchomi Wi-Fi, nazwa to Sculpfun SF-A9 XXXXX, domyślne hasło to 12345678, otwórz aplikację po podłączeniu, domyślny adres IP to 192.168.4.1.
- ② W trybie Wi-Fi musisz użyć narzędzi komputerowych, aby połączyć się z Wi-Fi. Należy pamiętać, że może łączyć się tylko z Wi-Fi 2,4 GHz i nie obsługuje specjalnych symboli. Jeśli nie można go normalnie używać, możesz skontaktować się z naszym działem obsługi klienta i odesłać zrzut ekranu konfiguracji telefonu komórkowego, aby uzyskać szybką pomoc techniczną.

4、 Jak należy konserwować maszynę i jak często?

Prowadnice liniowe X należy regularnie pokrywać olejem lub smarem, aby zapobiec rdzewieniu.

Cykl konserwacji: Częste użytkownicy, definiowani jako używanie urządzenia dłużej niż 8 godzin dziennie.

Konserwacja jest wymagana przynajmniej co 15 dni.

Użytkowników lekkich definiuje się jako korzystających z

urządzenia nie dłużej niż 2 godziny dziennie. Wymaga konserwacji przynajmniej co 2 miesiące.

Jeśli podczas

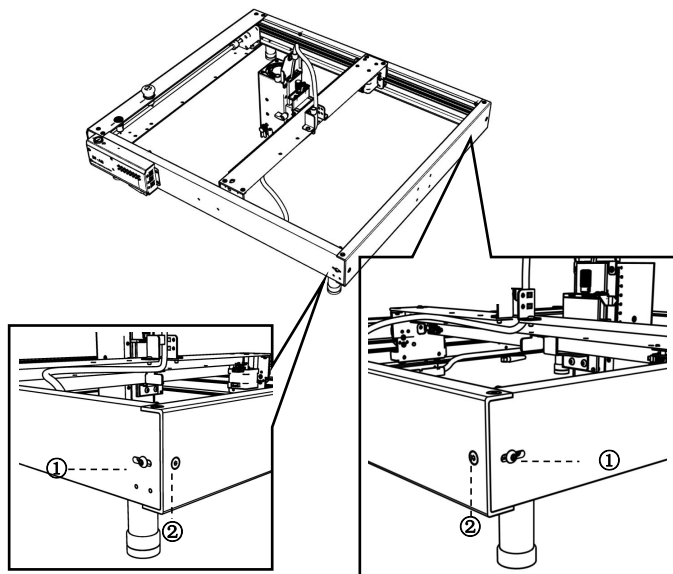
cyklu konserwacji pojawią się zabrudzenia i zanieczyszczenia, należy natychmiast oczyścić powierzchnię prowadnicy i po upewnieniu się, że jest czysta, nałożyć smar.

5、 Rzeźbiony okrąg jest zdeformowany, okrągły nie jest okrągły, kwadrat nie jest kwadratowy

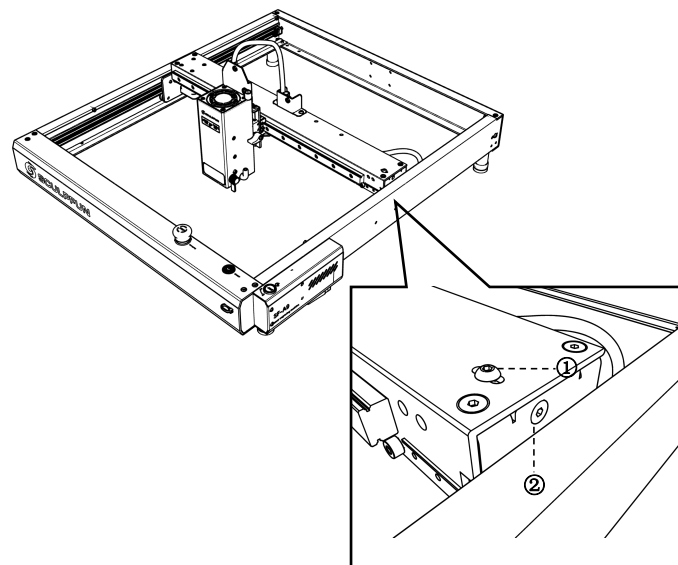
Powód: Być może pasek jest zbyt ciasny

Krok: Sprawdź pasek. Przytrzymaj palcami jednocześnie górną i dolną część paska, aby poczuć napięcie. Jeśli jest za luźny lub za ciasny. Aby wyregulować szczelność, patrz następne pytanie.

6, Jak wyregulować napięcie paska

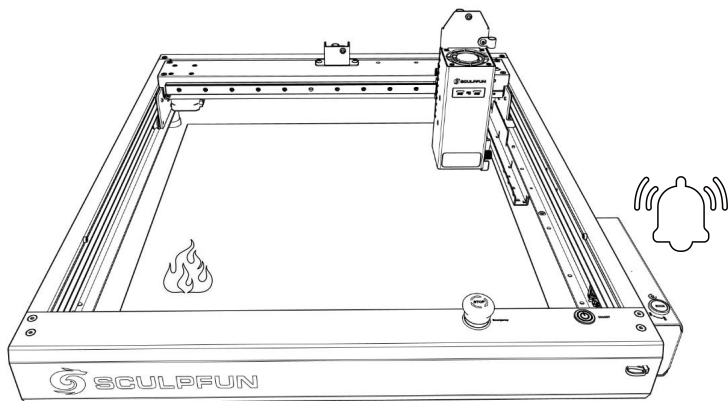


- Wyreguluj pasy przenośników na lewym i prawym błotniku
- (1) Najpierw poluzuj śrubę 1, a następnie wyreguluj śrubę 2
 - (2) Podczas regulacji śruby 2 dokręć ją w kierunku zgodnym z ruchem wskazówek zegara; poluzuj go w kierunku przeciwnym do ruchu wskazówek zegara.
 - (3) Naprężenie pasów przenośników na lewej i prawej przegrodzie musi być spójne, w przeciwnym razie będzie to miało wpływ na efekt grawerowania.
 - (4) Po wyregulowaniu dokręcenia dokręć śrubę 1.



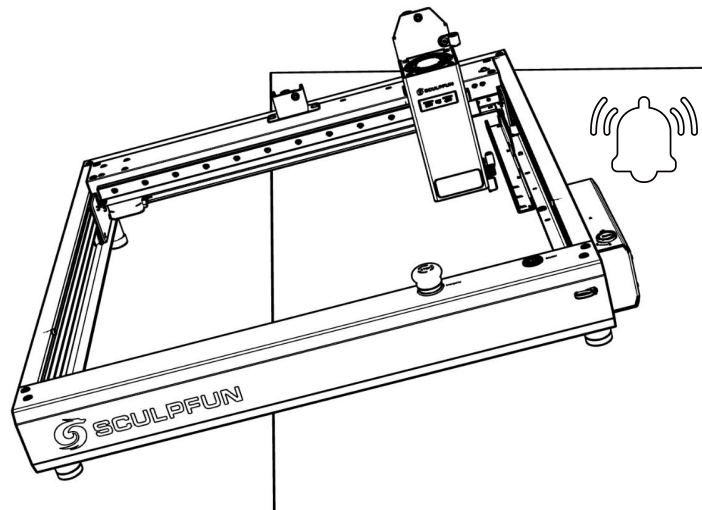
- Regulacja przenośnika taśmowego na płycie środkowej
- (1) Najpierw poluzuj śrubę 1, a następnie wyreguluj śrubę 2
 - (2) Podczas regulacji śruby 2 dokręć ją w kierunku zgodnym z ruchem wskazówek zegara; poluzuj go w kierunku przeciwnym do ruchu wskazówek zegara.
 - (3) Po wyregulowaniu dokręcenia dokręć śrubę 1

7. Instrukcje dotyczące alarmu płomienia



- (1) Pod laserem znajduje się wbudowany czujnik płomienia i czujnik temperatury.
- (2) Po wykryciu płomienia urządzenie automatycznie obliczy najbezpieczniejszą odległość. Gdy głowica lasera ustawi się w bezpiecznej pozycji, przestanie działać i uruchomi się alarm, aby uniknąć niebezpieczeństwa.
- (3) Dźwięk alarmu nie wyłączy się automatycznie i należy ręcznie uruchomić ponownie maszynę.

8. Opis alarmu przechyłu



- (1) Maszyna posiada wbudowany czujnik pochylenia
- (2) Gdy stół, na którym stoi maszyna, przechylił się o kąt przekroczył 15°, maszyna przestanie działać i uruchomi się alarm, aby uniknąć niebezpieczeństwa.
- (3) Dźwięk alarmu nie wyłączy się automatycznie i należy ręcznie uruchomić ponownie maszynę.

9. Jeśli nie możesz rozwiązać powyższych kroków samodzielnie lub masz inne pytania.

Możesz wysłać film o usterce, maszynę i inne informacje na oficjalny adres e-mail posprzedażny SculpFun (support@sculpfun.com), personel obsługi posprzedażnej zajmie się tym za Ciebie



Manufacturer: Shenzhen Sculpfun Technology Co., Ltd.

Address: 1411, Building D, Longguang Jiuzuan Business Center South, Daling Community, Minzhi Street, Longhua District, Shenzhen, Guangdong, China 518131

Sculp your fun !

Customer Service:

- For detailed warranty policy, please visit our official website at: sculpfun.com
- For Laser Engraver technical support and service, please email: support@sculpfun.com
- Official Group for Sculpfun Users:
<https://www.facebook.com/groups/538557960530958>

Note: This Manual is just for installation, For how to use laserGRBL software, how to show the position of the engraving pattern, and how to set the engraving parameters of different materials, please scan the QR code or visit the website sculpfun.com to download the **User Manual**.



Scanner APP:
QR Code Reader
/Barcode Scanner
or any APP with scanner

sculpfun

